



LIGHT

M I R R O R S



INSTALLATION INSTRUCTIONS



www.lightmirrors.co.uk

CE RoHS IP44

Bathroom Cabinet Installation & User Guide



Thank you for purchasing our illuminated Cabinets.

To avoid product damage or personal injuries, carefully read, understand, and follow all the Instructions in this installation guide before installing the product.

Save this manual for future reference.

CE RoHS IP44



WARNING!

To avoid the risk of electrocution,
please turn off the electricity supply mains
before commencing the installation.

CONTENT

IMPORTANT INFORMATION

Installation

- 1 Positioning
- 2,3 Aluminium Cabinet Installation
- 4 Fitting Non-Demister Doors With Soft Close Hinges
- 5 Fitting of Demister Doors
- 6 Fitting Non-Demister Doors With Pivot Hinges
- 7 Shelf Adjustment
- 8 Oak Cabinets

Operation

- 1 On/Off Infrared Sensor
- 2 Shaver Socket
- 3 Ambient Lighting
- 4 RGB Colour Change Lighting
- 5 Bluetooth Audio

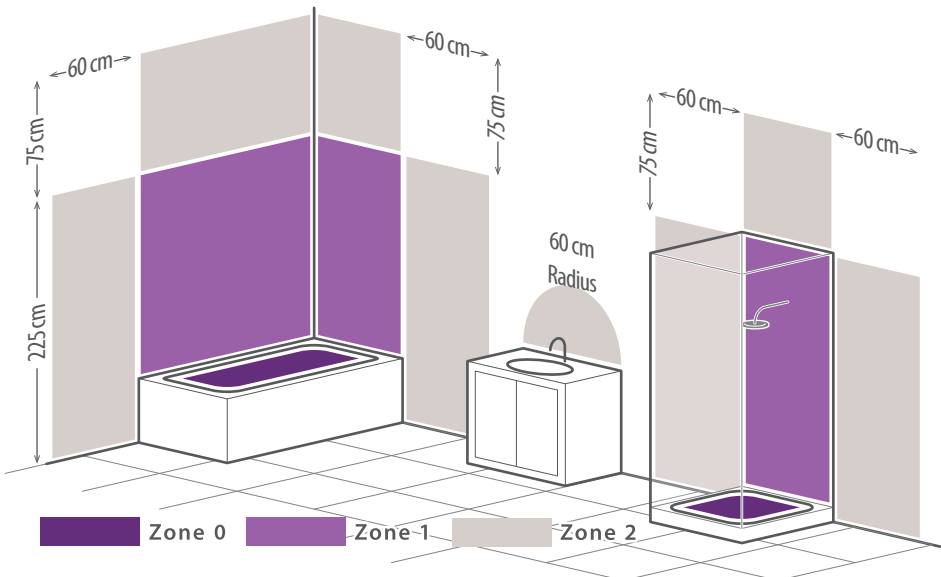
FAQs

IMPORTANT INFORMATION

This product should only be installed by a fully qualified electrician in accordance with the current IEE wiring regulations (UK) or the equivalent national wiring regulation outside of the UK. This light fitting is a **Class I** product and therefore must be earthed. Always switch off the electricity supply at the mains before and during installation of this product.

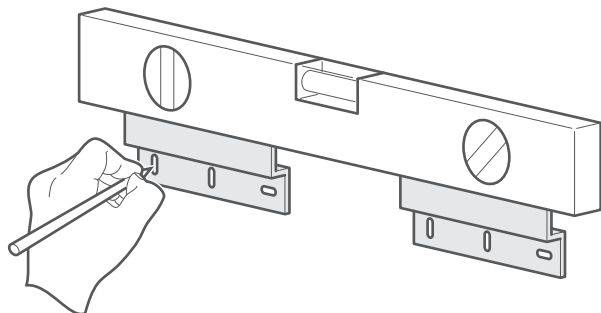
Our **Class II** Solid Oak cabinets do not require an earth connection

1. This product is IP44 rated so can be safety fitted in Zones 2 and 3. Position the cabinet in a suitable location **with at least 15cm clearance between the proximity sensor and the nearest surface** and according to the zonal diagram show below, ensuring that the domestic electrical mains supply is within reach of the electrical entry point of the product.

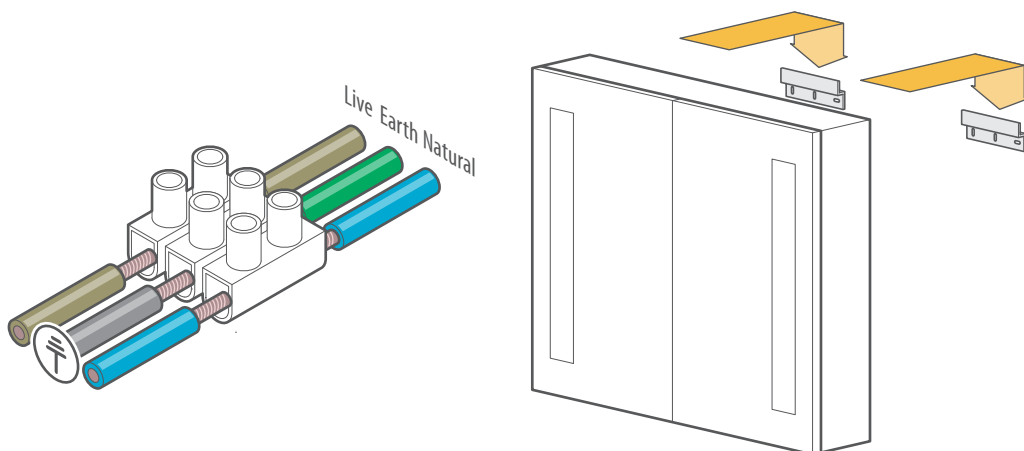


Aluminium Cabinet Installation

2. Using a spirit level make sure that the supplied mounting brackets are level and mark the position of the bracket mounting points. The spacing of the brackets will vary depending on the model you have chosen and can be found within the cabinets packaging.

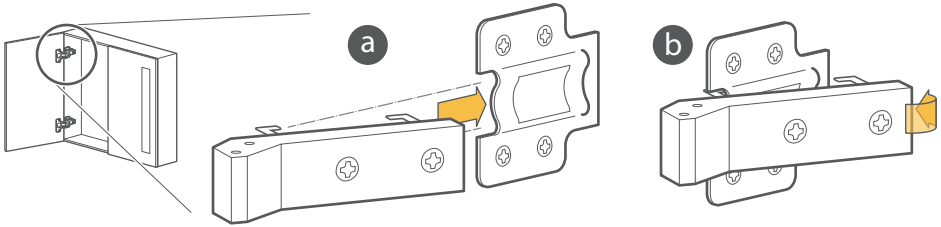


3. Using an appropriate drill bit for your wall drill the mounting holes and fit wall plugs. The plugs supplied are suitable for brick walls only, if in doubt please consult your local DIY store for advice on alternative suitable fixings. Wire the cabinet to your mains supply. For models that are supplied with the door(s) already fitted simply hang the cabinet on the wall. For all other models please refer to the next sections.



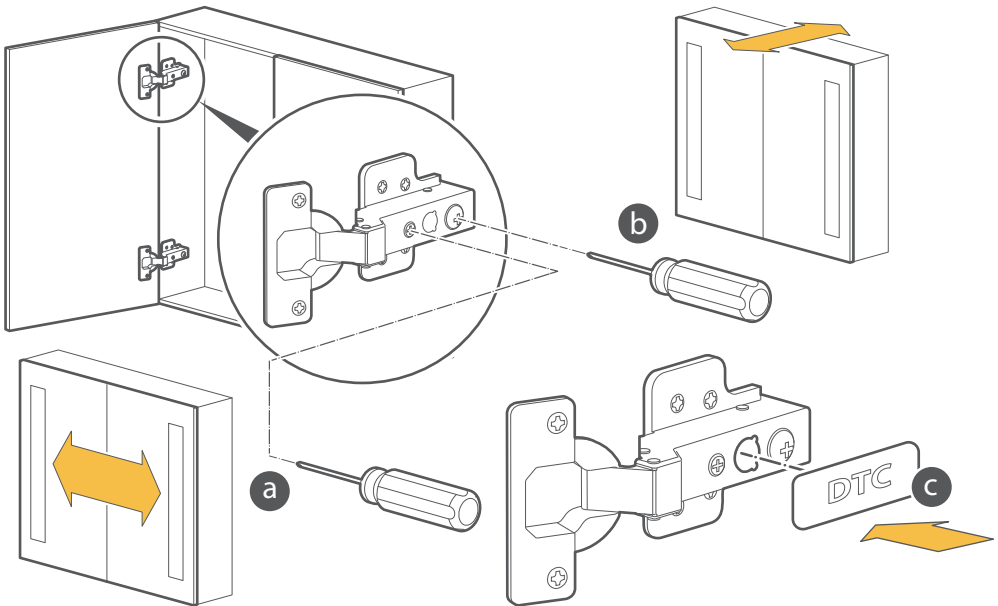
4. Fitting Non-Demister Doors With Soft Close Hinges

To fit the doors simply clip the sort close hinges into place. This is achieved by locating the front of the hinge into to cabinet mounting plate **a**) and pushing in the rear of the hinge until it clicks into place **b**).



Door Adjustment

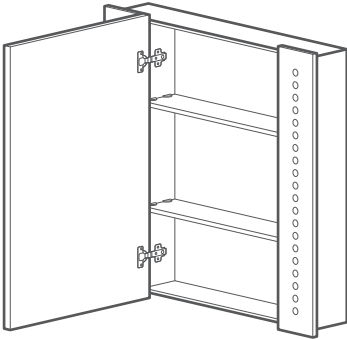
There are two adjustments that can be made **a**) will adjust the door left to right **b**) will adjust the gap between the door and the cabinet.



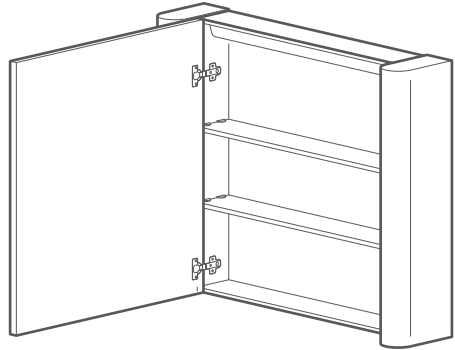
Once you have correctly adjusted the door(s) simply clip on the hinge cover **c**)

5. Fitting of Demister Doors

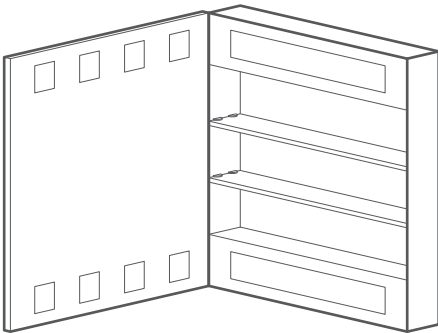
There are four main styles of cabinet, please identify your cabinet type from the images below and follow the appropriate fitting guidelines. (Please note that your specific cabinet size may be different to those shown in the images).



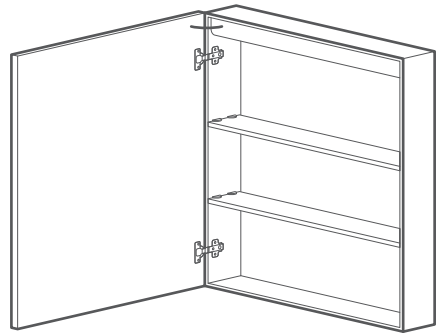
Type A
Soft Close Hinge With Side
or Top Panel



Type B
Soft Close Hinge With Curved Electric
Cover, and Side Illumination Panels



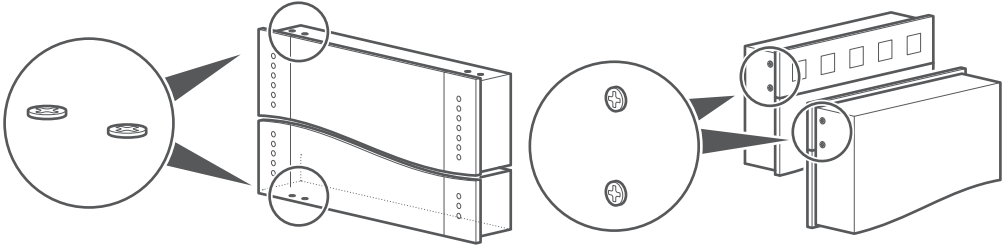
Type C
Fixed Hinge with Transparent
Windows in the Door



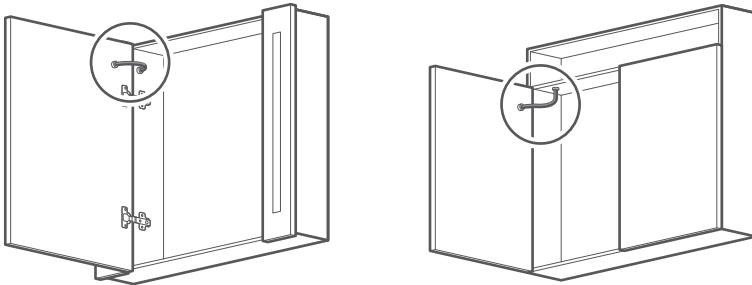
Type D
Soft Close Hinge with LED Illumination
Built Into the Door

Type A

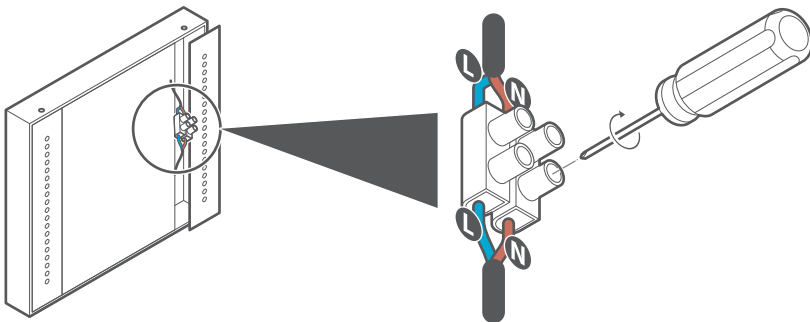
Remove the four panel mounting screws, disconnect the panel, and set aside.



Carefully push the door demister cable through the grey grommet. The entry position will depend on the model.



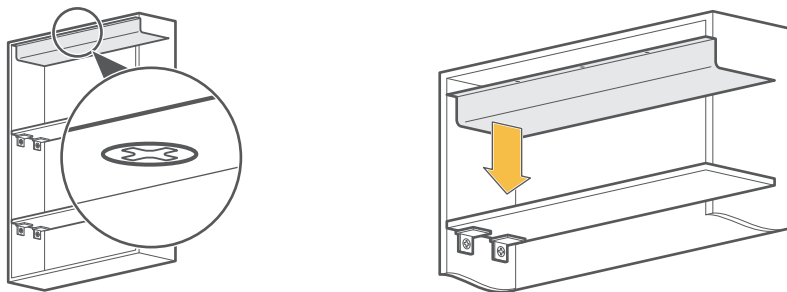
Locate the demister cable connection block and connect the wires from the demister door.



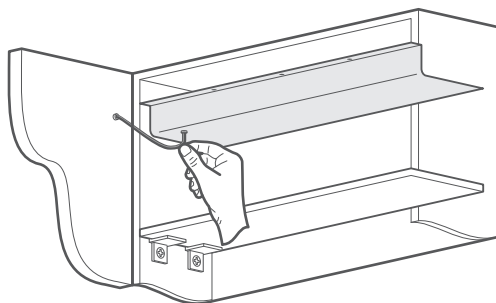
Refit the mirror panels.

Type B

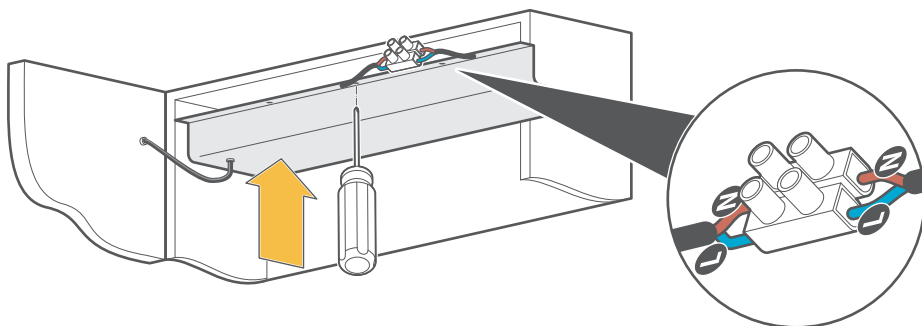
Begin by removing the electrics cover mounting screws. Carefully lower the front of the cover to gain access to the demister cable terminal block.



Feed the door demister cable through the grey grommet located on the electrics cover.

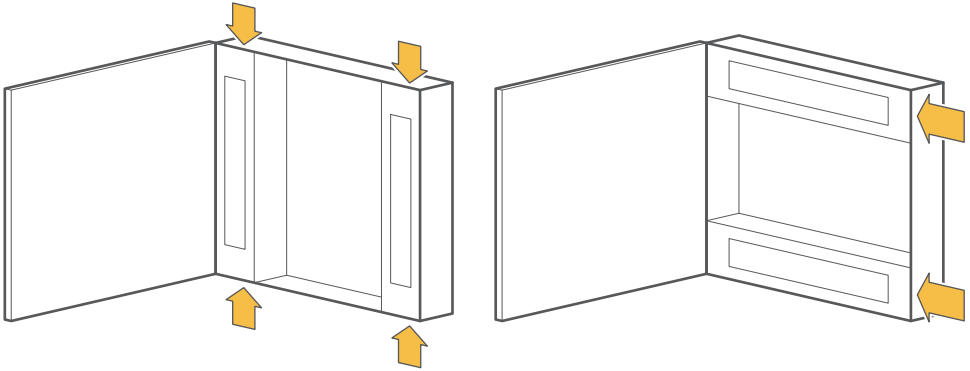


Connect the demister cable and replace the electrics cover.

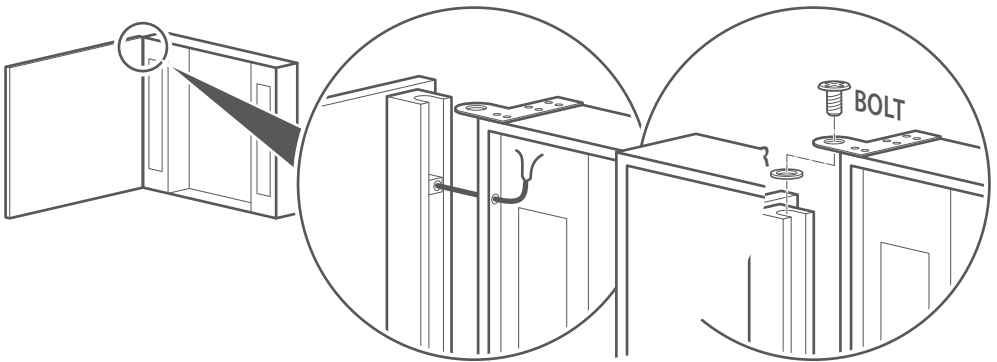


Type C

Remove the panel mounting screws located on the top or sides of the cabinet (depending on the light orientation) and carefully remove and set aside.

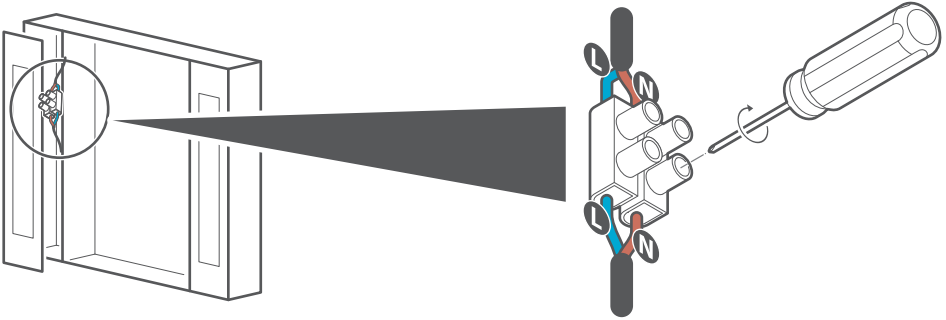


Carefully align and push the door demister cable through the gap in the side of the cabinet **a)** until the door is fully positioned under the hinge plate **b)**.



Attach the door at the top and bottom using the bolts and washers provided.

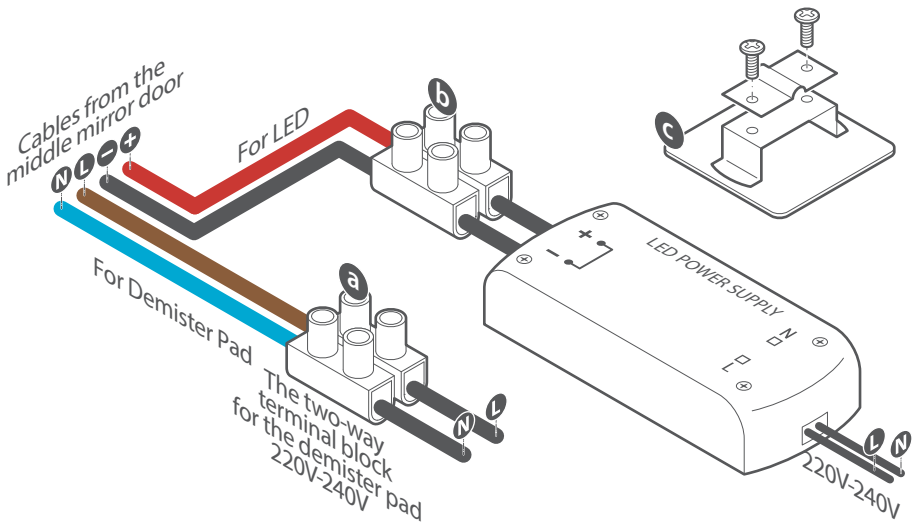
Locate the demister cable connection block and connect the wires from the demister door.



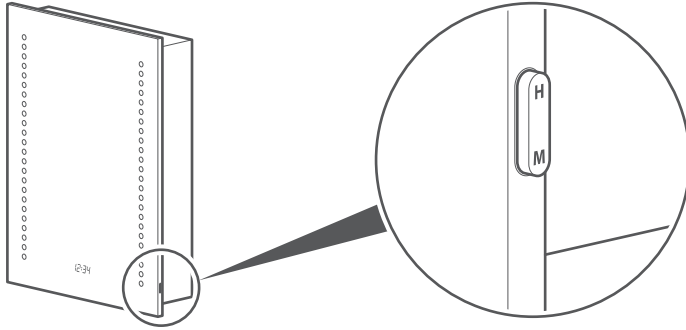
Type D

This range is available with a single, double or treble doors. The fitting is basically the same for **Type B** products but with the additional requirement to connect the door's lighting harness as follows:

With the cover loosened locate the terminal block for the demister pad **a**) and the terminal block for the door lighting **b**). Secure the door harness **c**)



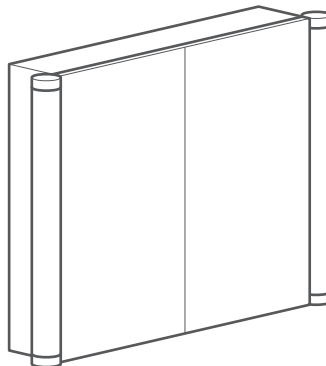
Type D Cabinets are also available with a digital clock. To set the time on the clock use the buttons located on the edge of the mirror door.



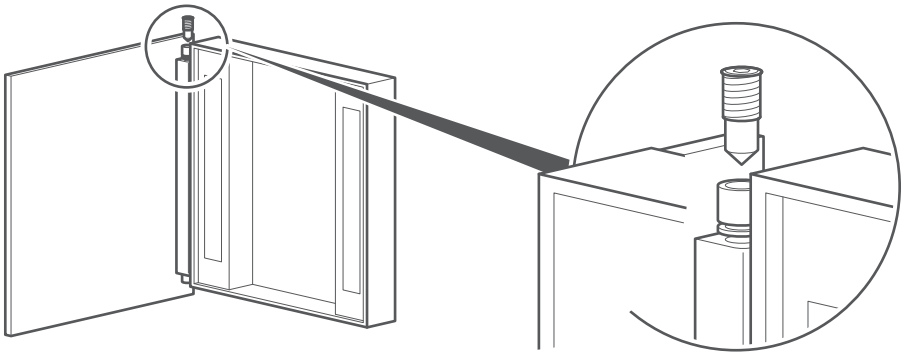
- a) Press and hold down the Hours button until the numbers on the clock start to flash.
- b) Press the Hours button until the correct Hours time is reached.
- c) Press and hold down the Hours button until the numbers on the clock start to flash.
- d) Press the Minutes button until the correct Hours time is reached.

6. Fitting Non-Demister Doors With Pivot Hinges

The following describes how to secure the non-demister doors of the circular diffuser range of cabinets.

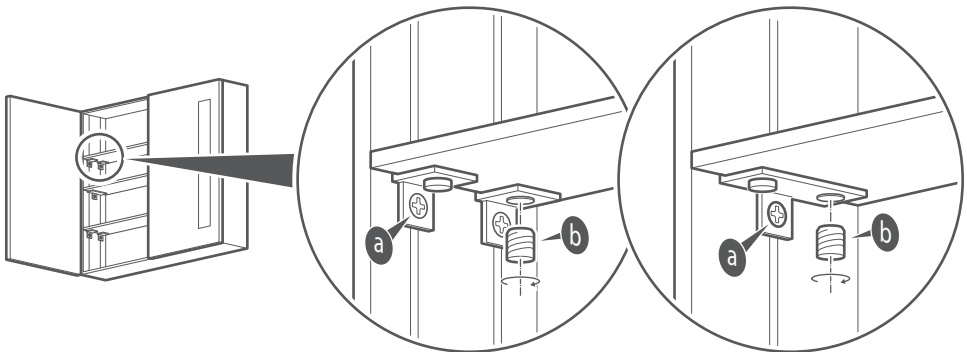


There are two types of door spacer supplied **a)**, the drilled through spacer should be fitted to the top part of the door by simply pushing into position **b)**, and the solid based spacer to the bottom should be held into place whilst you position the door on the cabinet. Use the pointed grub screws **c)** provided and attach the door to the cabinet. If adjustment door height adjustment is required this can be achieved by screwing the bottom grub screw in or out.



7. Shelf Adjustment

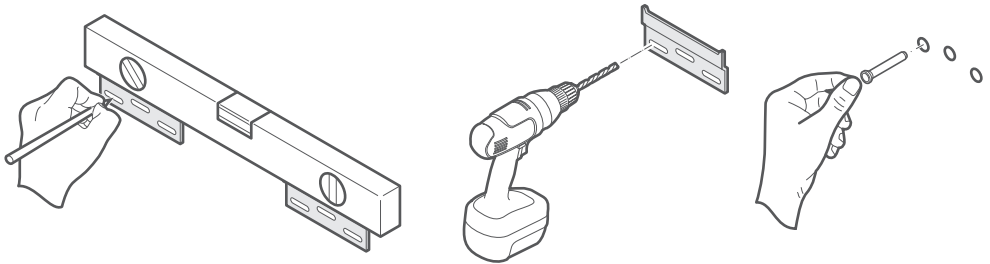
Depending on your model there will be either four or two shelf brackets per shelf. Each type adjust in the same way. For height adjustment loosen the bracket screw **a)** and move the bracket to required height and retighten. Slot in your shelf and secure by screwing in the plastic grommets **b)**.



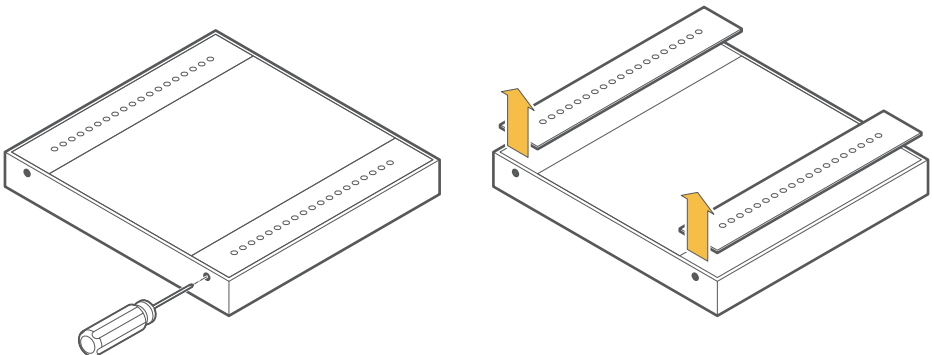
8. Oak Cabinets

Using a spirit level make sure that the supplied mounting brackets are level and mark the position of the bracket mounting points. The spacing of the brackets will vary depending on the model you have chosen and can be found within the cabinets packaging.

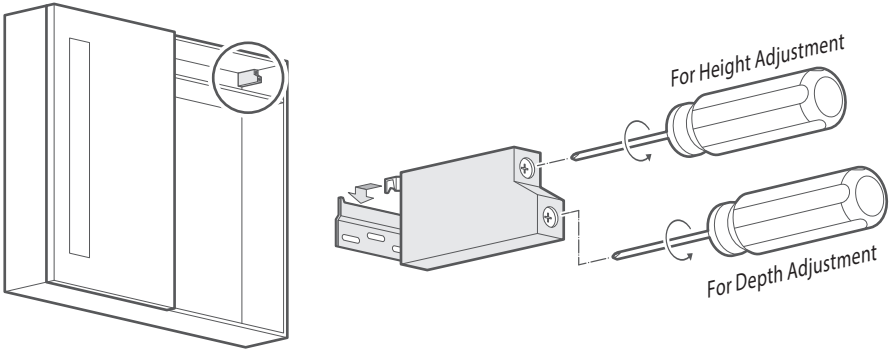
Using an appropriate drill bit for your wall drill the mounting holes and fit wall plugs. The plugs supplied are suitable for brick walls only, if in doubt please consult your local DIY store for advice on alternative suitable fixings.



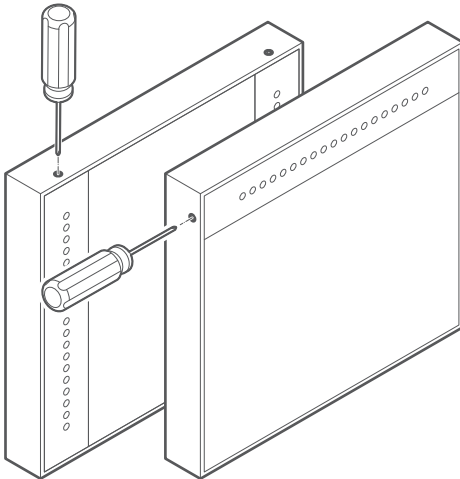
Depending on your model, should be remove both side panels or top panel of your cabinet by removing the fixing screws located on the frame. This will allow you to gain access to the cabinets mains connection terminal block and mounting adjustors.



Connect your cabinet to the mains supply and hang onto the wall brackets.

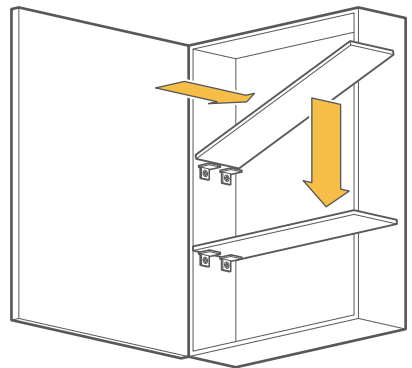


Adjustments can be made using the two screws on the cabinet hangers.



Replace the side or top panels.

Finally fit the shelves by slotting in at an angle.



Operating Instructions:

1. On/Off Infrared Sensor

All our Cabinets include an infrared on/off Sensor located on the bottom of the frame, simply wave your hand across the sensor and it will instantly power up the lights and demister pad. Repeat the action to turn the light and demister pad off.

2. Shaver Socket

All cabinets include a 240 Volt shaver socket for the use of electric shavers and toothbrushes. The shaver socket includes its own on/off rocker switch which works separately from the lights and demister pad.

3. Ambient Lighting

Please note that the ambient single colour or white lighting turns ON and OFF on the actuation of the proximity sensor along with the main mirror lights and the mirror demister.

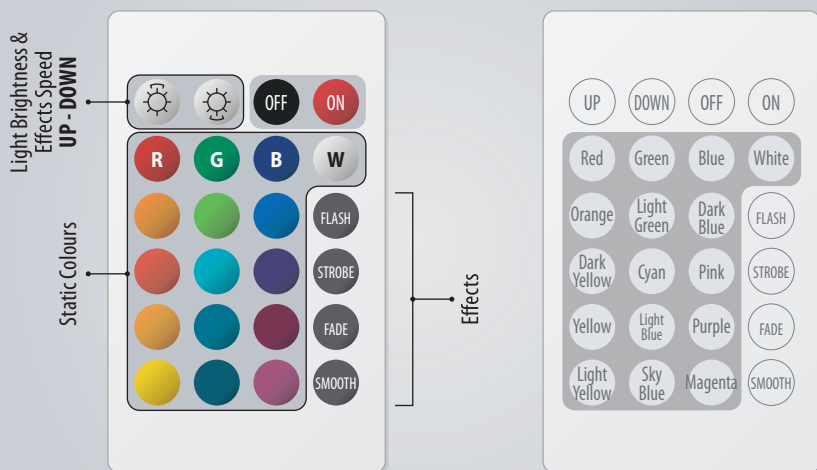
4. Bluetooth Audio

To activate the internal Bluetooth Audio System simply turn on the internal Shaver Socket/Bluetooth switch. You will hear an activation tone coming from your cabinet speakers.

For Bluetooth operation, the internal Audio System will automatically become available for your device to pair to, appearing as Diamond X on your mobile's Bluetooth available devices list. Depending on your portable device and your settings, subsequent pairing will be automatic.

5. RGB Colour Change Lighting

Simply point you remote towards the small black sensor located on either the bottom or side of the mirror frame. Select you Static Colour option from the keypad. The brightness of the light can be adjusted in steps by pressing the top left two **UP** and **DOWN** control buttons. The **ON - OFF** function will only operate if the main mirror lights are turned on using the remote sensor as described in Section 1.



There are four **MODE** buttons giving the effects described in the table show below. To operate these simply point your remote towards the black sensor and select the required function and click **once**. The speed of the transitions can be increased or decreased by pressing the **UP** or **DOWN** buttons. Simply select a static colour to cancel the function.

MODE	DESCRIPTION
FLASH	Flashes between 7 Colours
STROBE	Strobes the chosen Static Colour
FADE	Fades the Static Colour, On and Off.
SMOOTH	Fades between Red, Green and Blue.

FAQs

1. What is a LED Cabinet?

A LED Cabinet uses Energy Saving LED light bulbs. They are Waterproof Rated IP44 for use in bathrooms and include clever technology like, Infra-Red on/off sensors, Anti-Mist demister pads and a shaver socket.

2. On/Off Infrared Sensor?

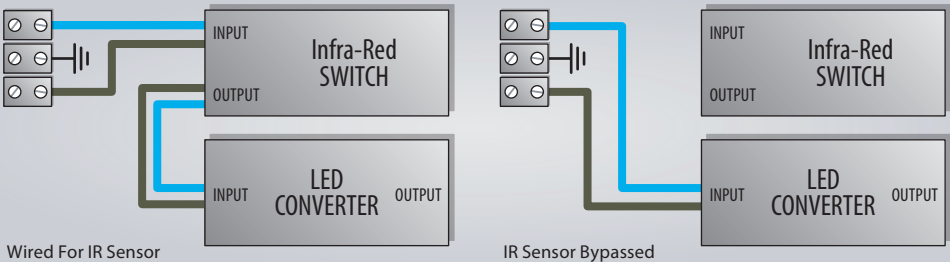
All our LED Cabinets include Infra-Red on/off Sensor, simply wave your hand to the sensor and it will instantly powers up the lights and demister pad. You need to wave your hand 3-6 inches away to On/Off your mirror cabinet.

3. Where is the sensor located?

The sensor is located on the bottom of the Cabinet and not on the front of the glass.

4. Can I isolate the sensor so the Cabinet Lights come on with my bathroom lighting?

Yes this can easily be done by a qualified electrician by bypassing the Infra-Red switch as shown below:



5. How do I activate the demister pad?

The demister pad works automatically when the lights are turned on and off.

6. Is the Cabinet tinted glass?

No, the mirror is perfectly clear reflective mirror glass.

7. Is the Cabinet CE & ROHS certified?

Yes!