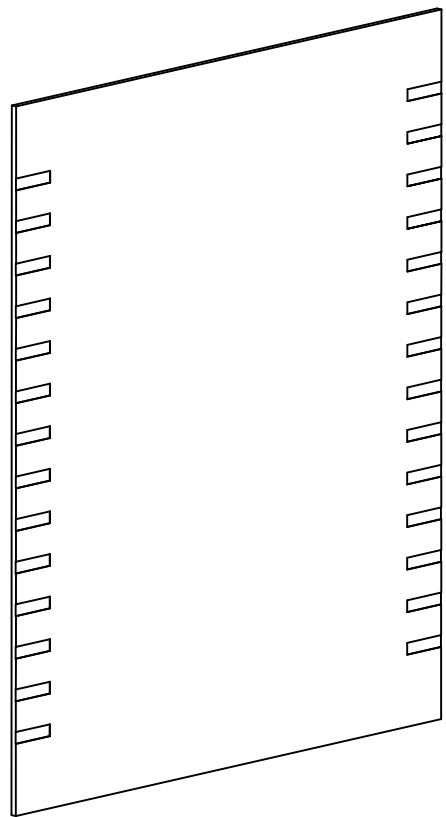
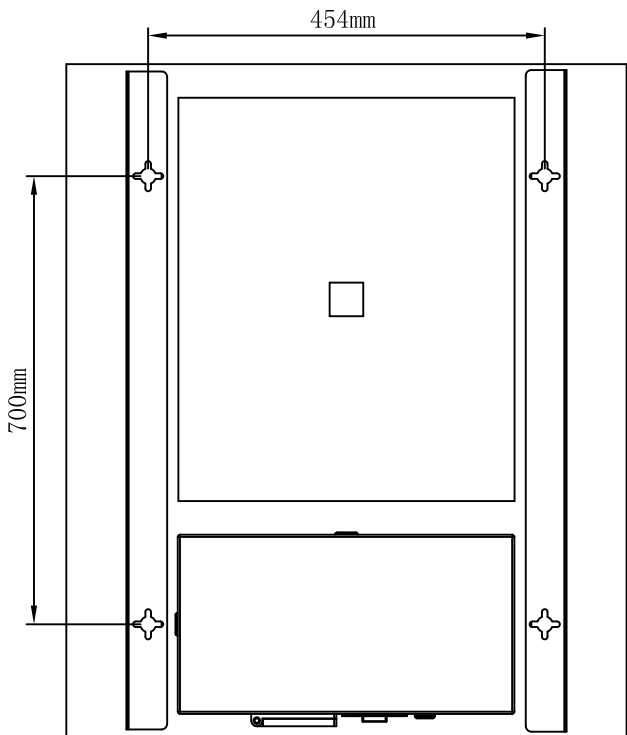
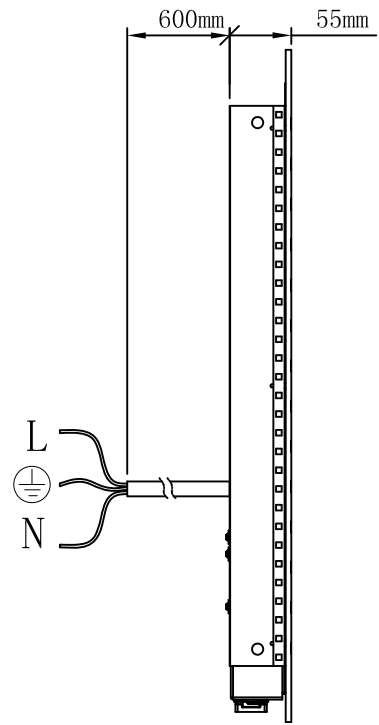
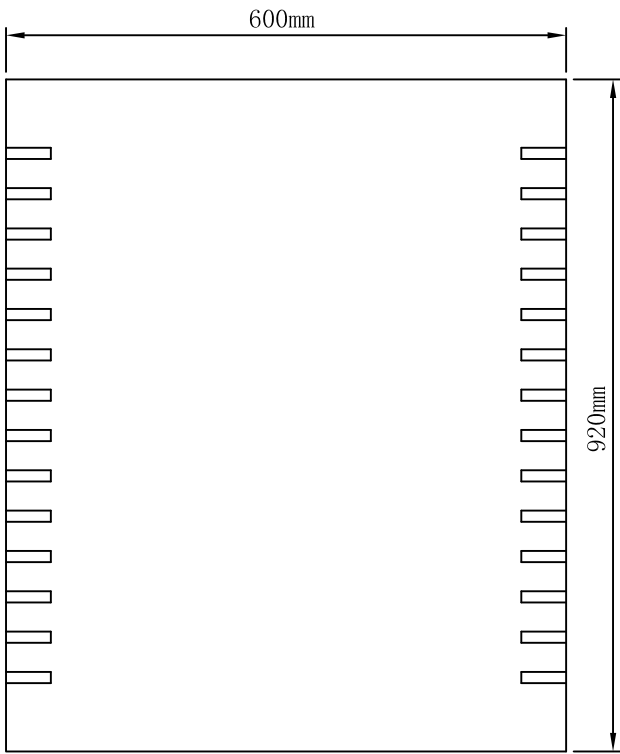
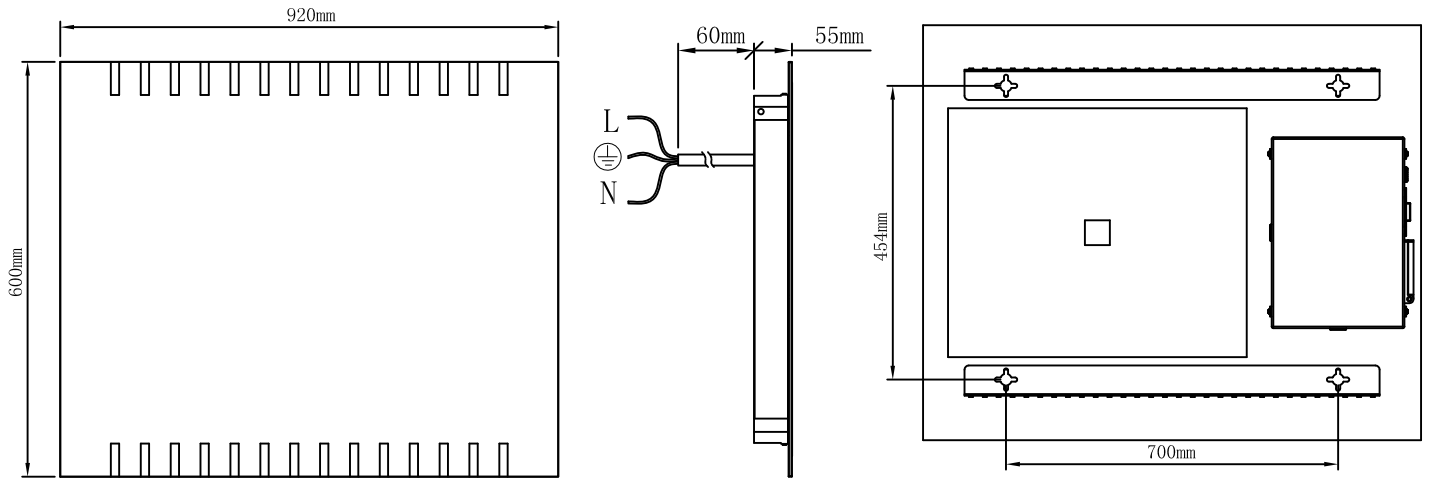


(1) The line drawings for 10016



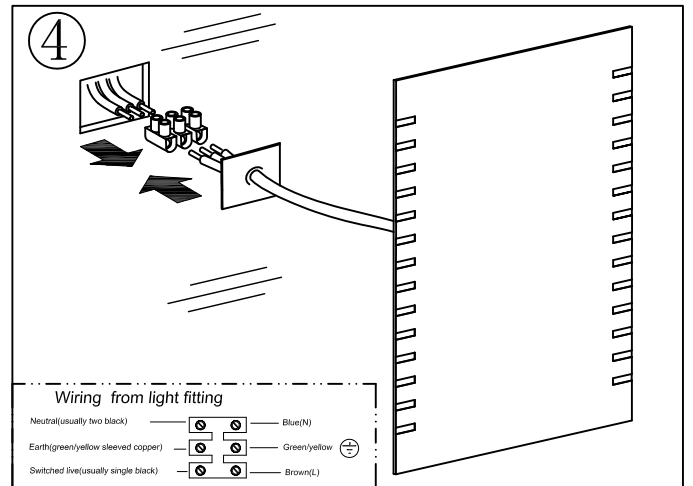
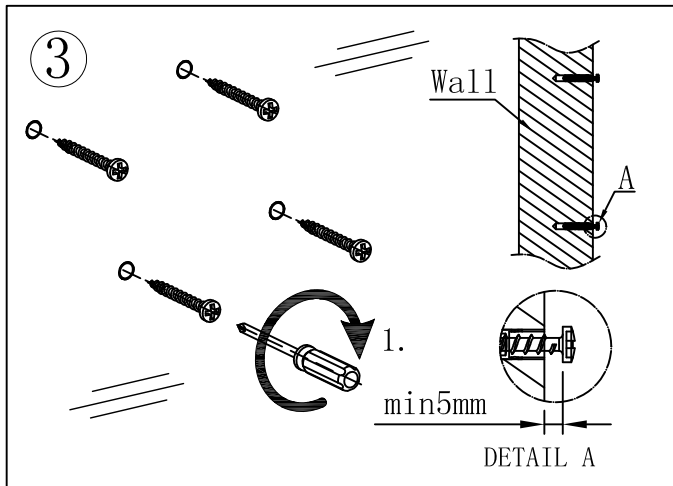
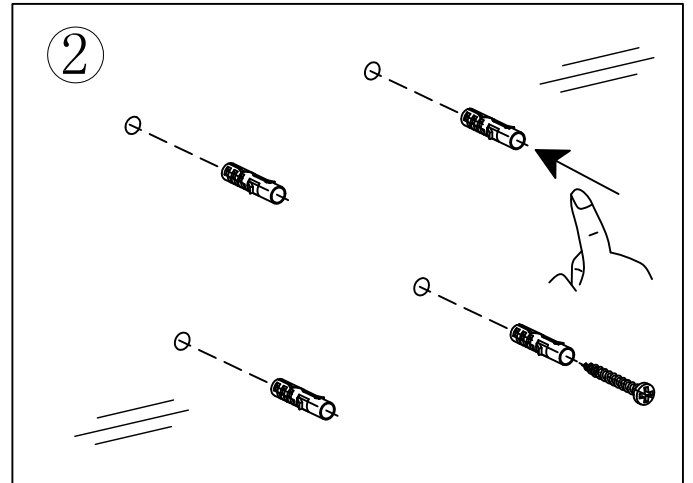
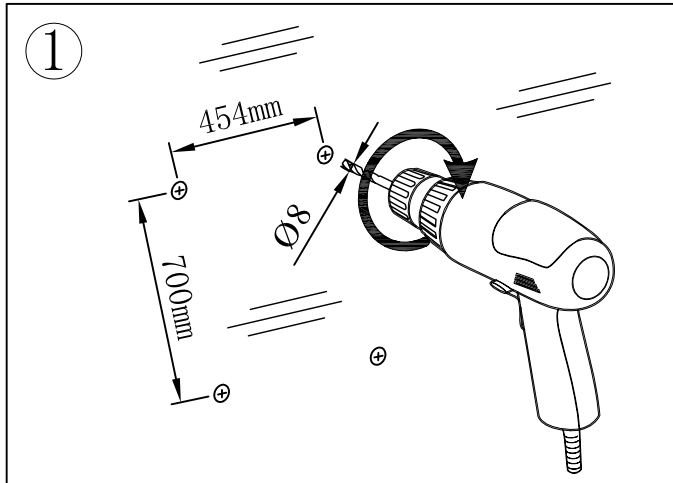
---

(2) 10016(mirror) can be used vertically, please see the line drawings as below:

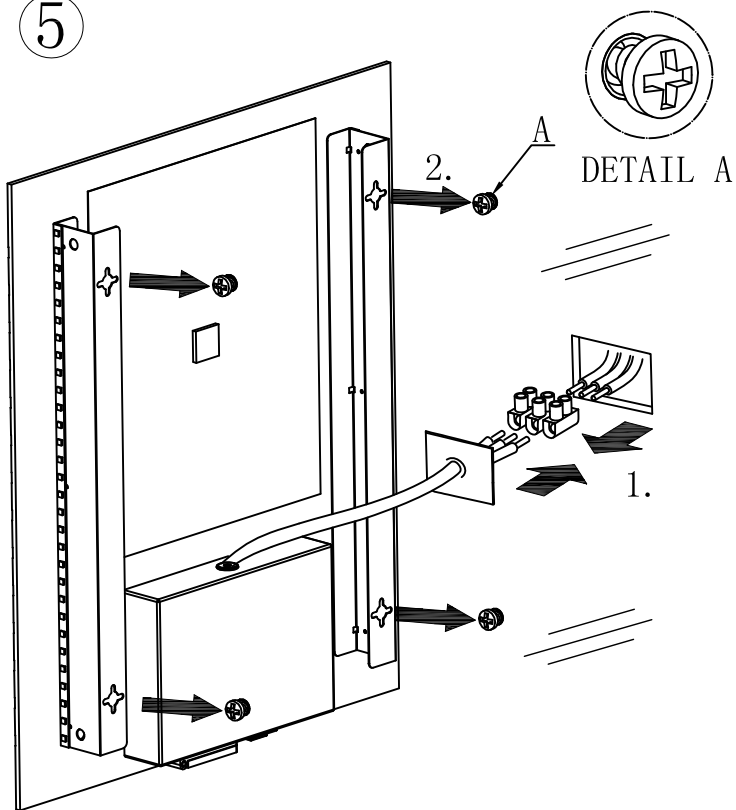


**Remarks:**The fixing sizes are same as the horizontal mirror (10016),but one is horizontal installation,another is vertical installation

# Installation Instructions



5



6

