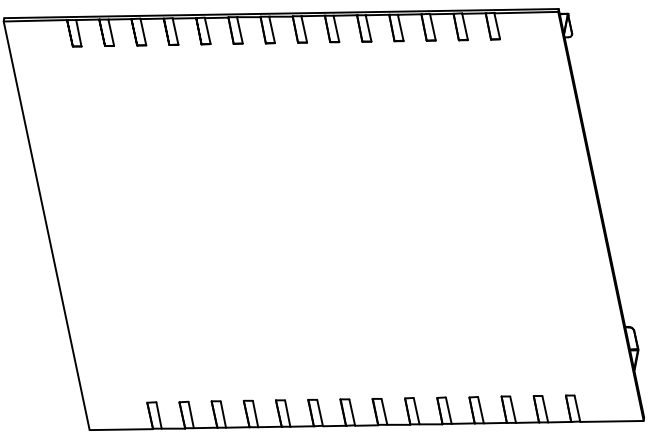
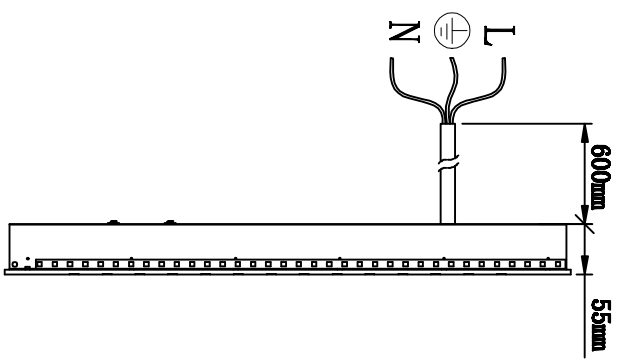
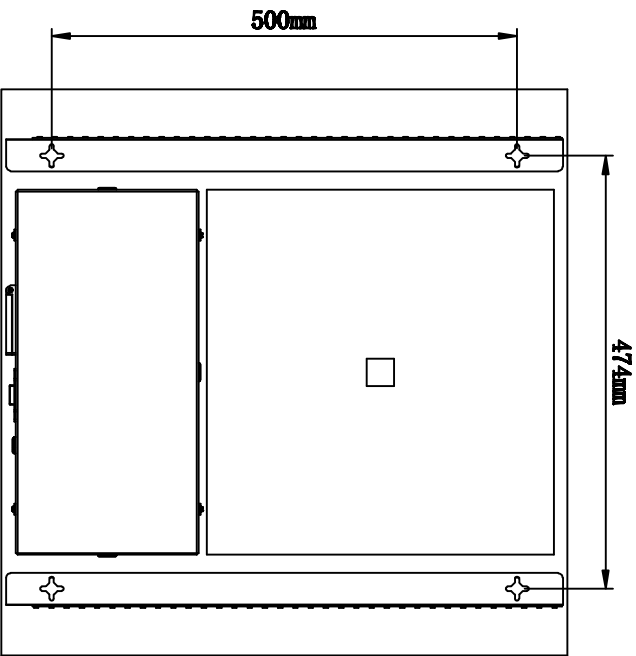
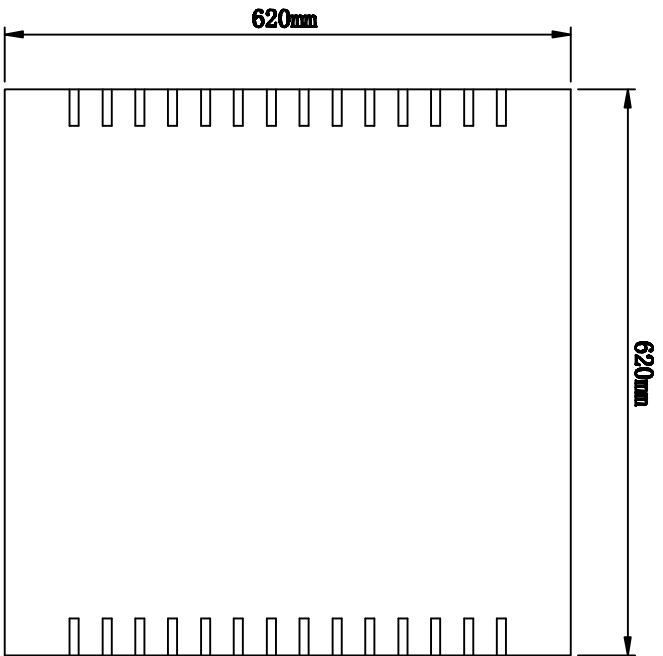
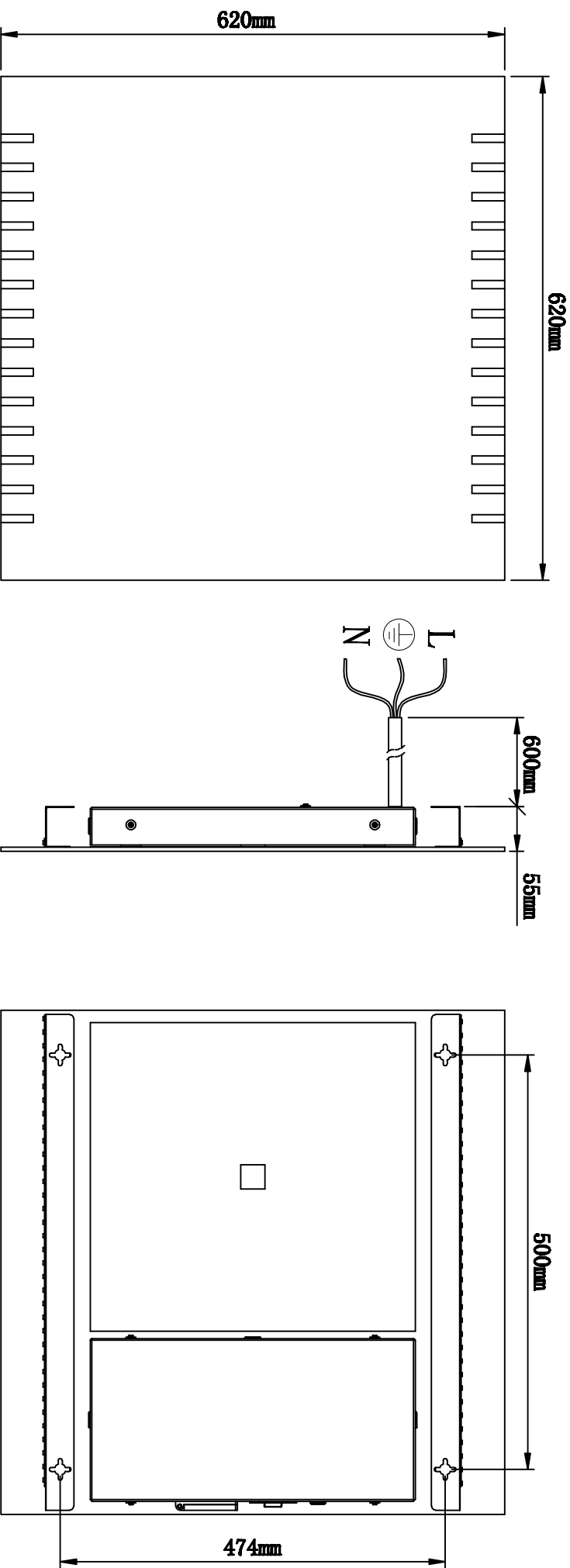


(1) The line drawings for 10013

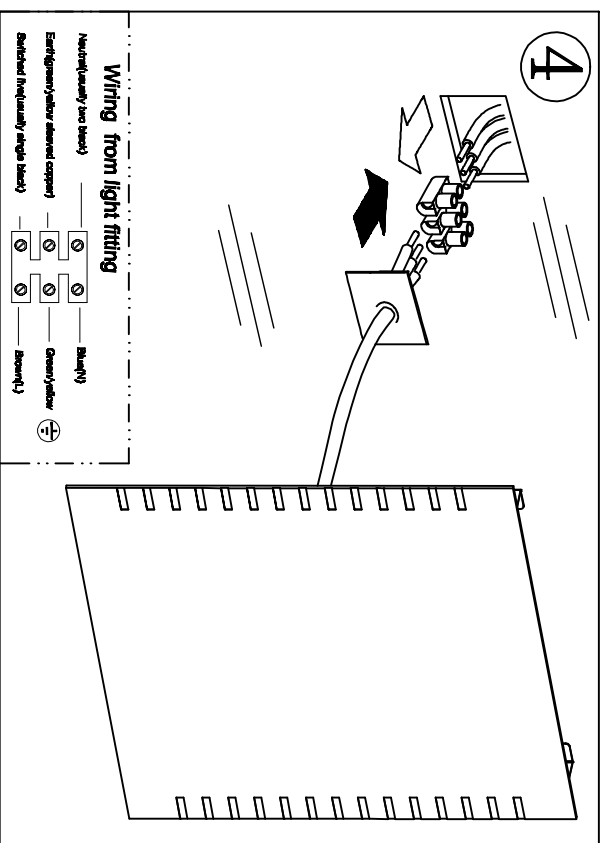
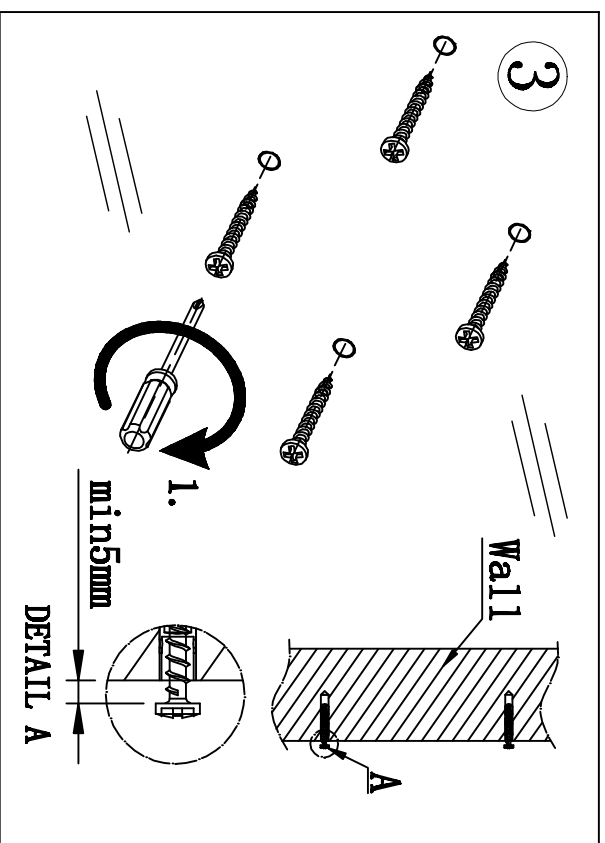
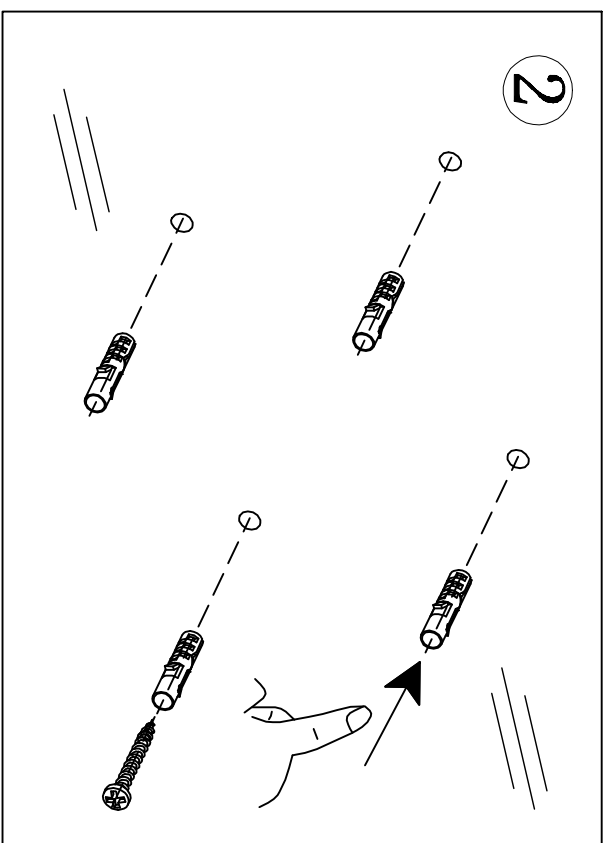
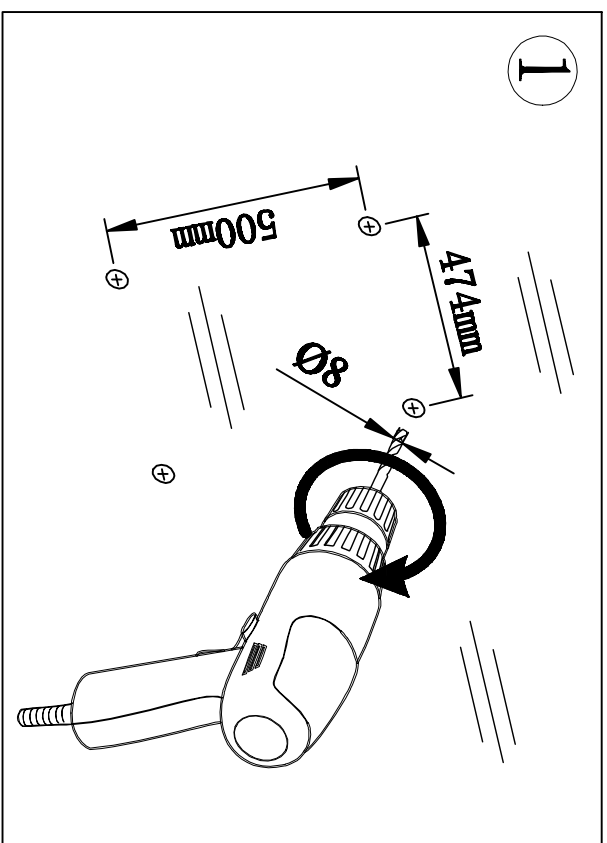


**(2) 10013(mirror) can be used vertically, please see the line drawings as below:**

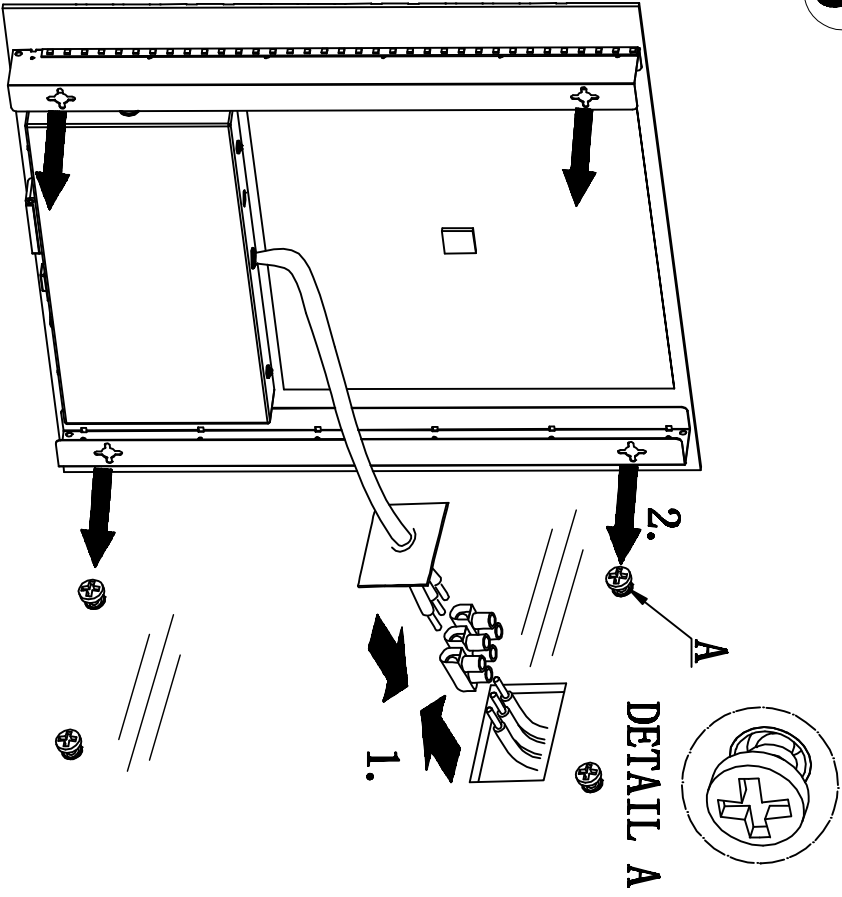


**Remarks: The fixing sizes are same as the horizontal mirror (10013), but one is horizontal installation, another is vertical installation**

# Installation Instructions



5



6

