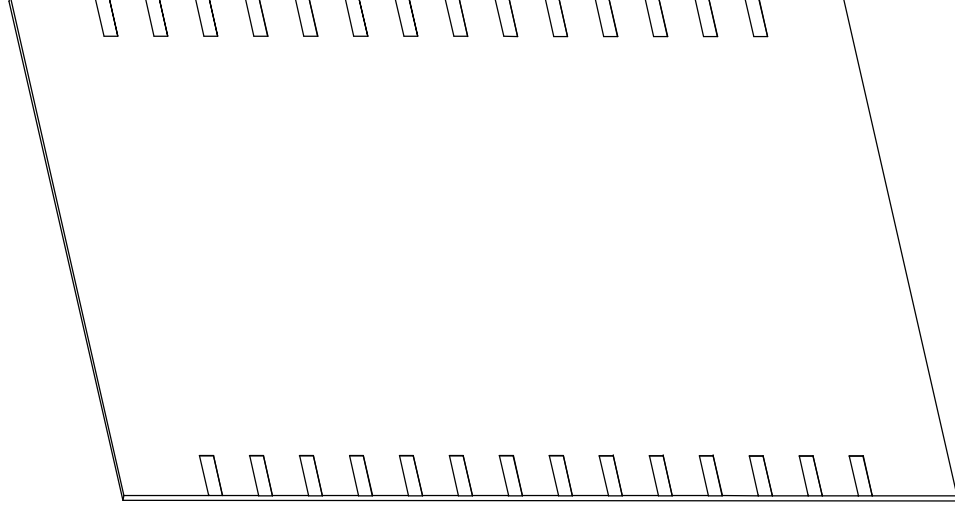
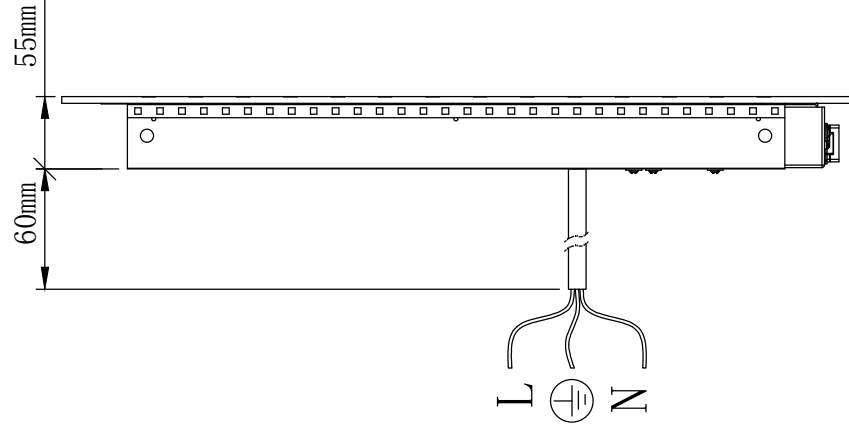
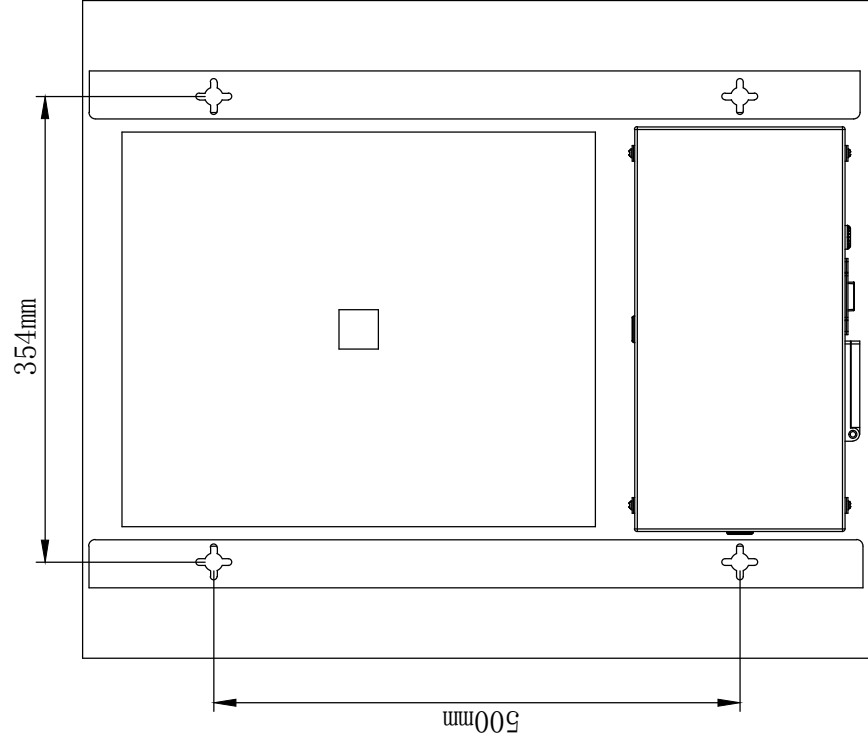
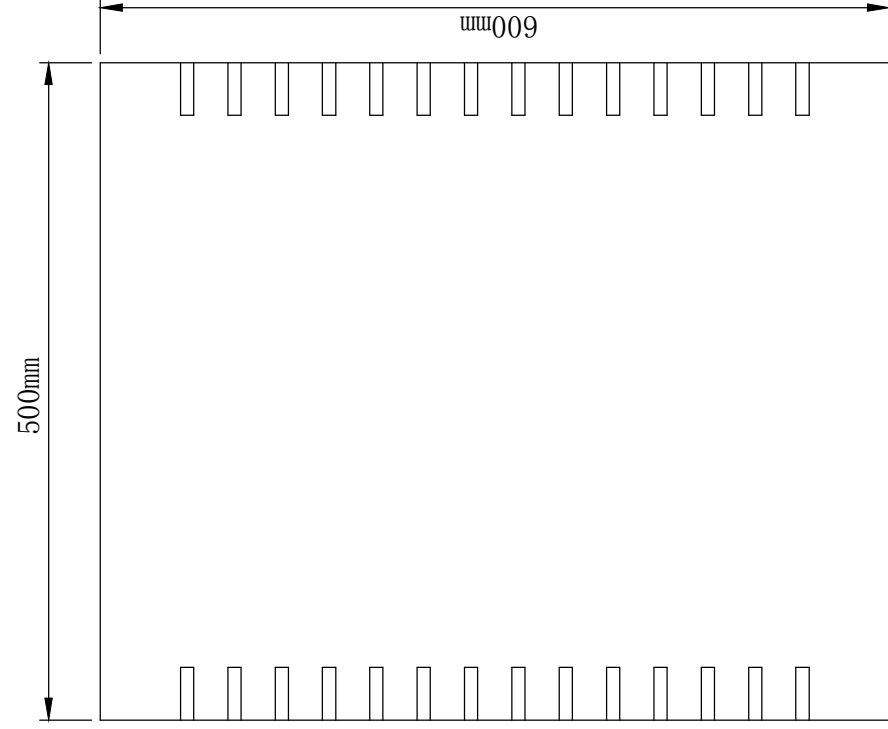
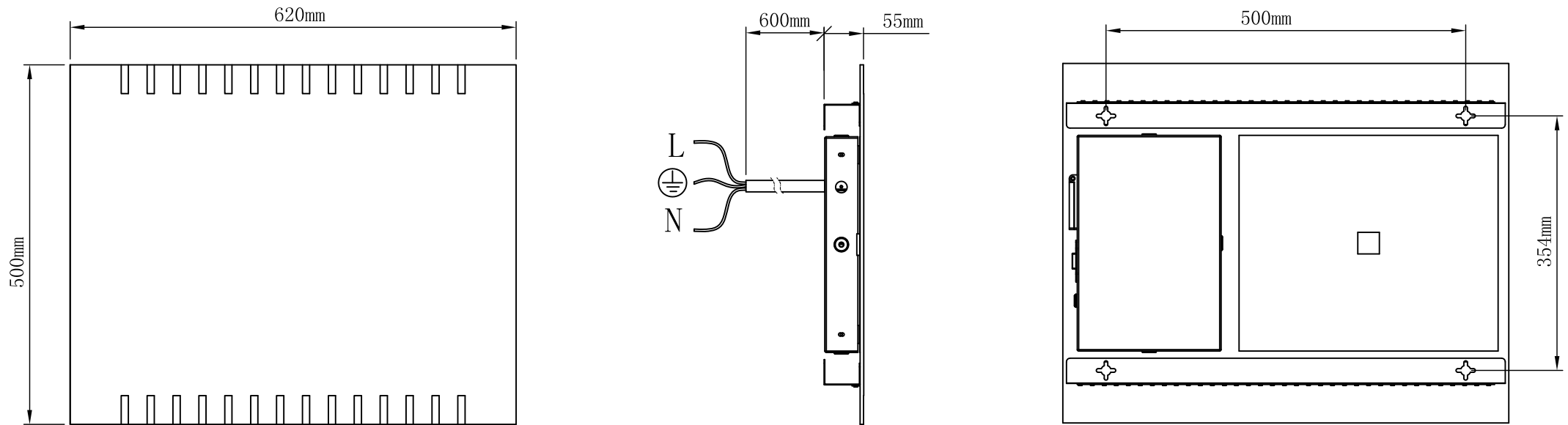


(1) The line drawings for 10012 (K52)

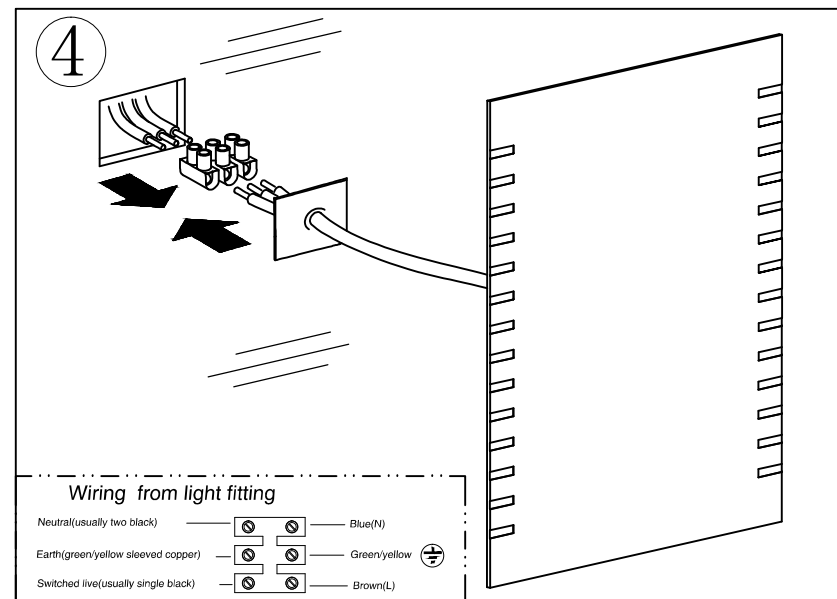
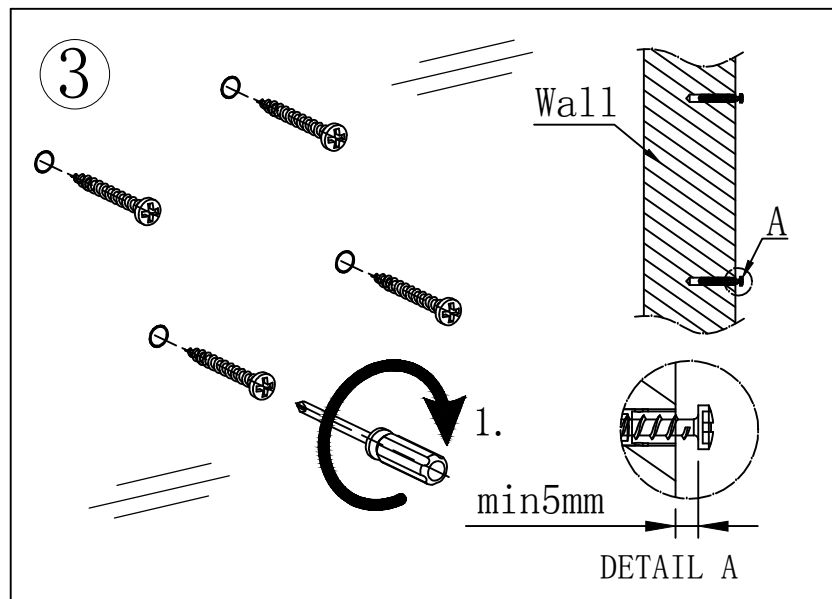
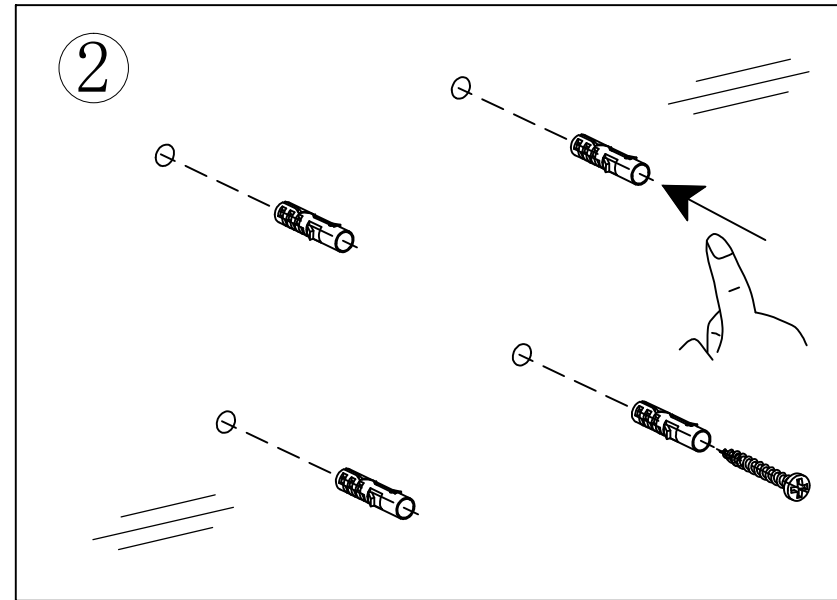
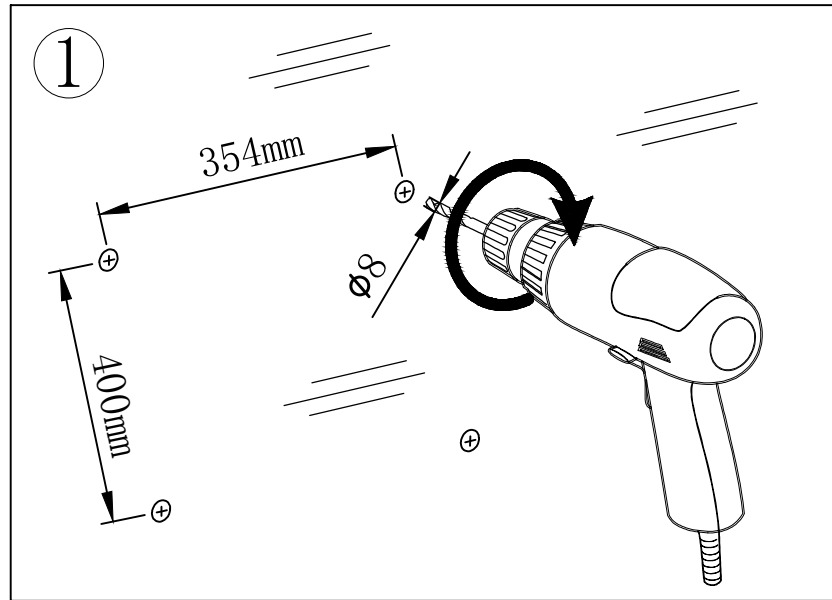


(2) 10012(K52)(mirror) can be used vertically, please see the line drawings as below:

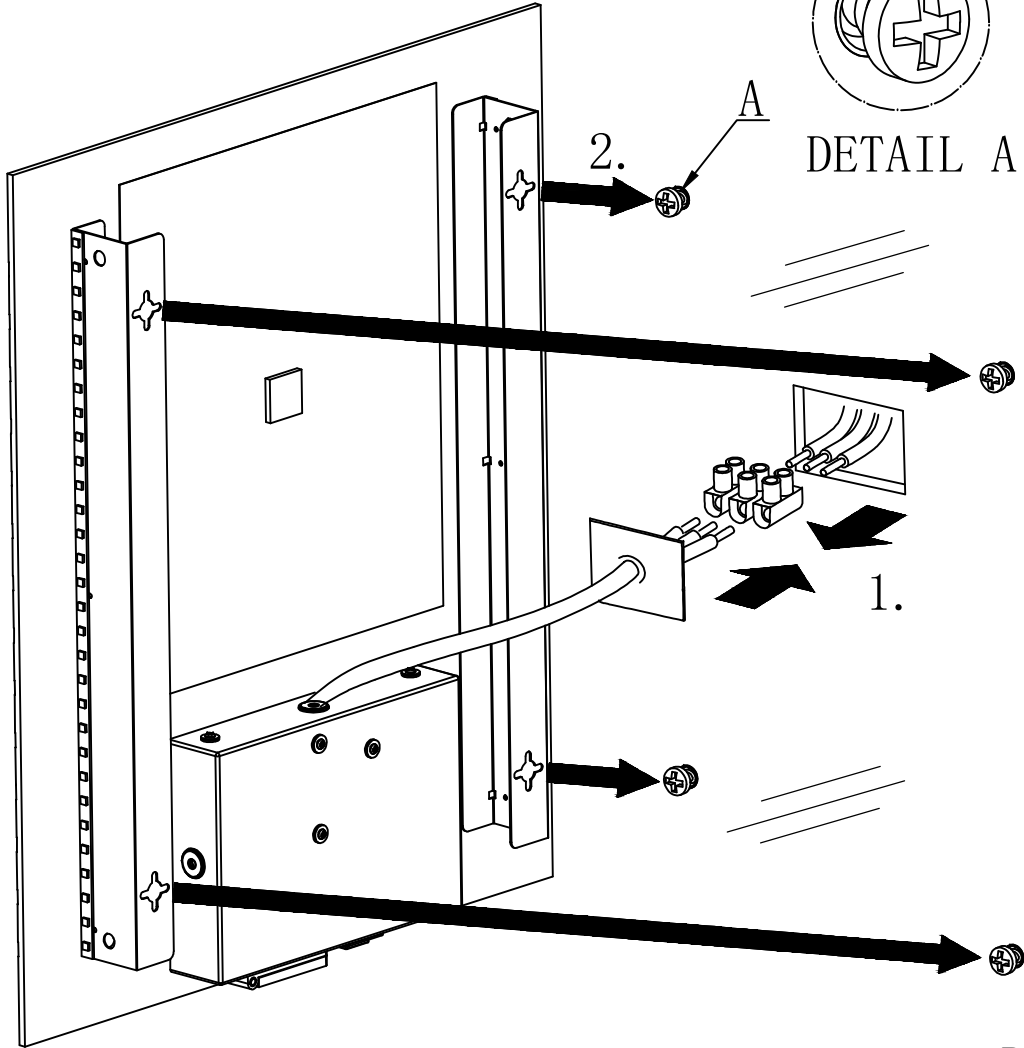


**Remarks: The fixing sizes are same as the horizontal mirror (10012/K52), but one is horizontal installation, another is vertical installation**

# Installation Instructions



5



6

