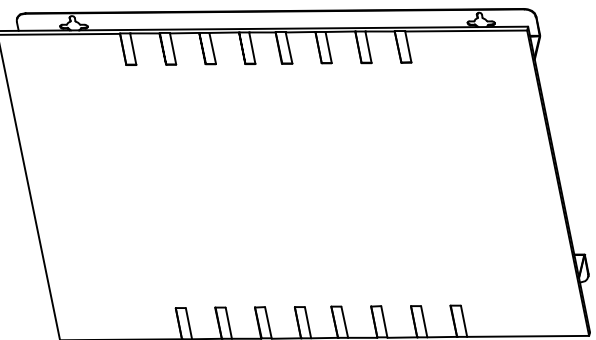
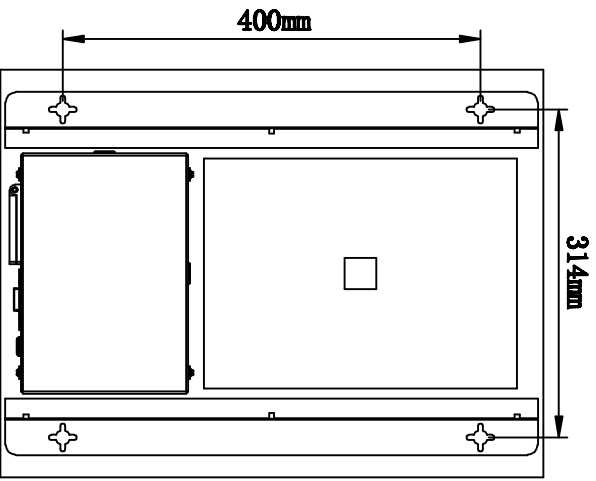
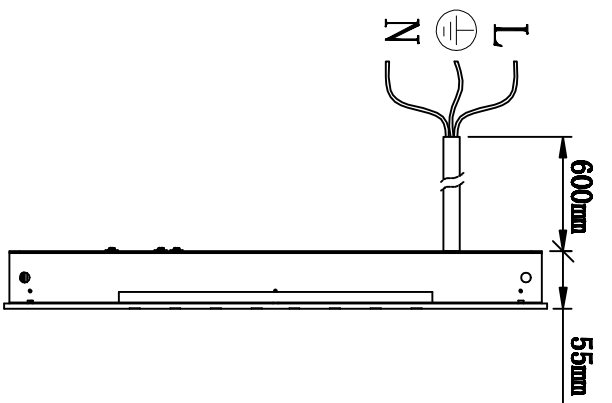
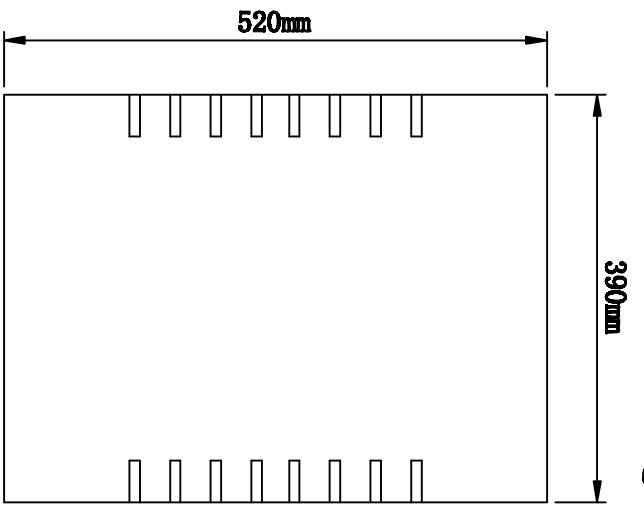
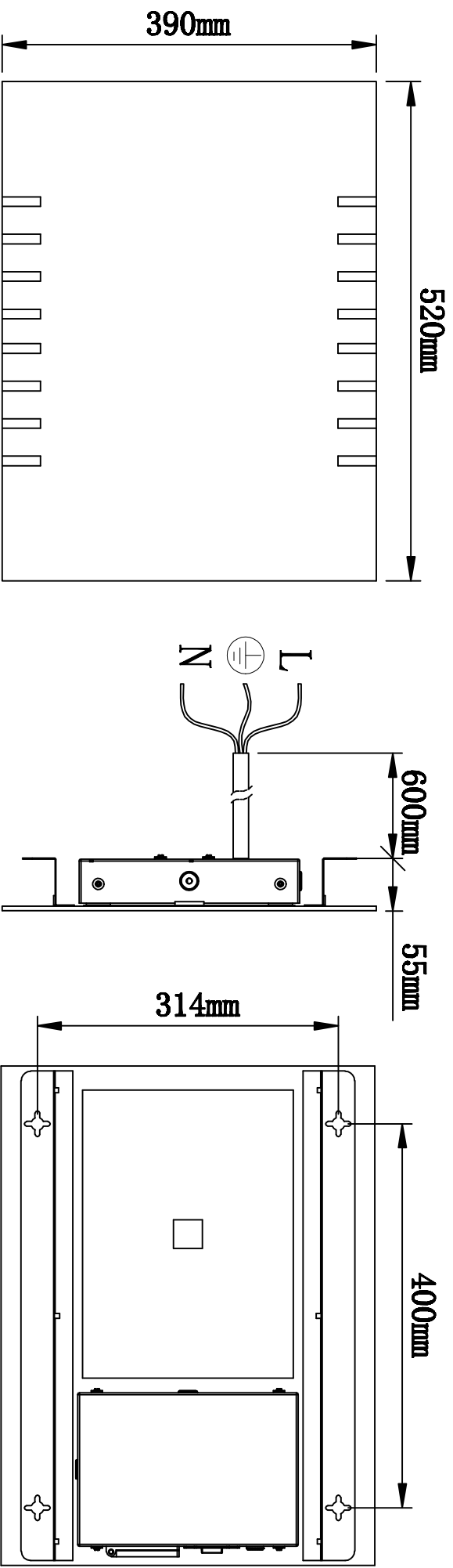


(1) The line drawings for 10011

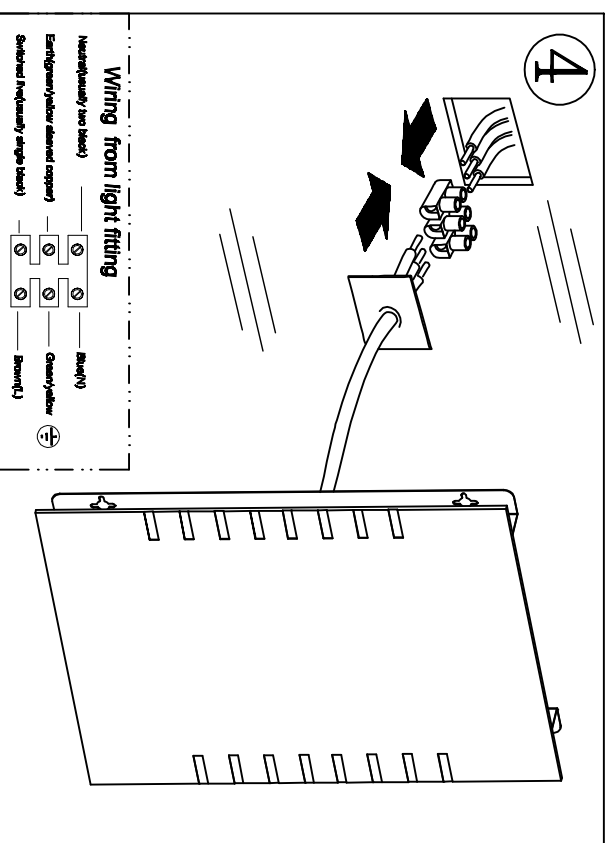
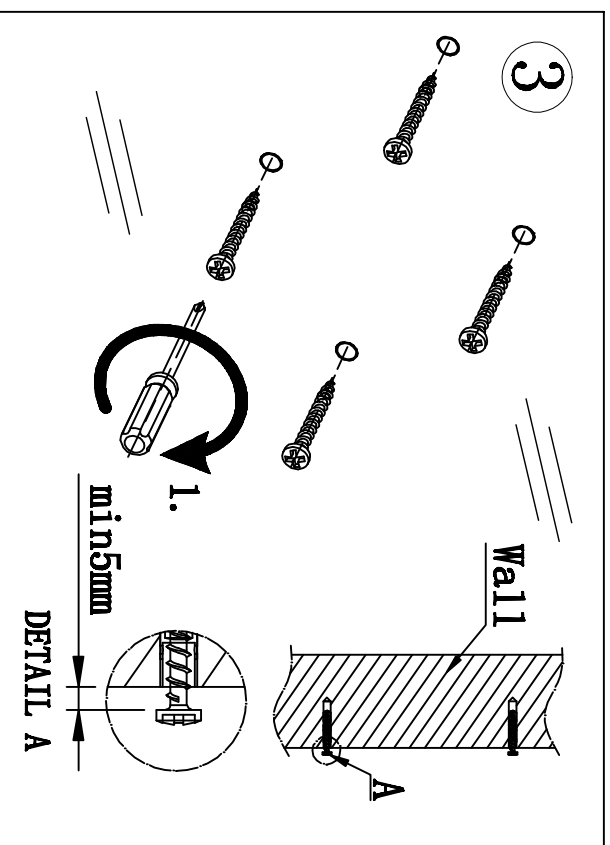
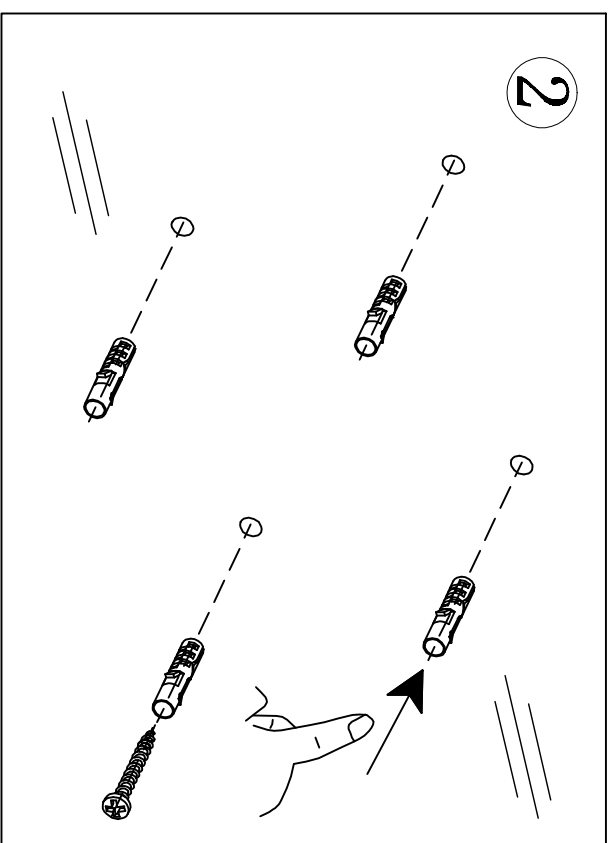
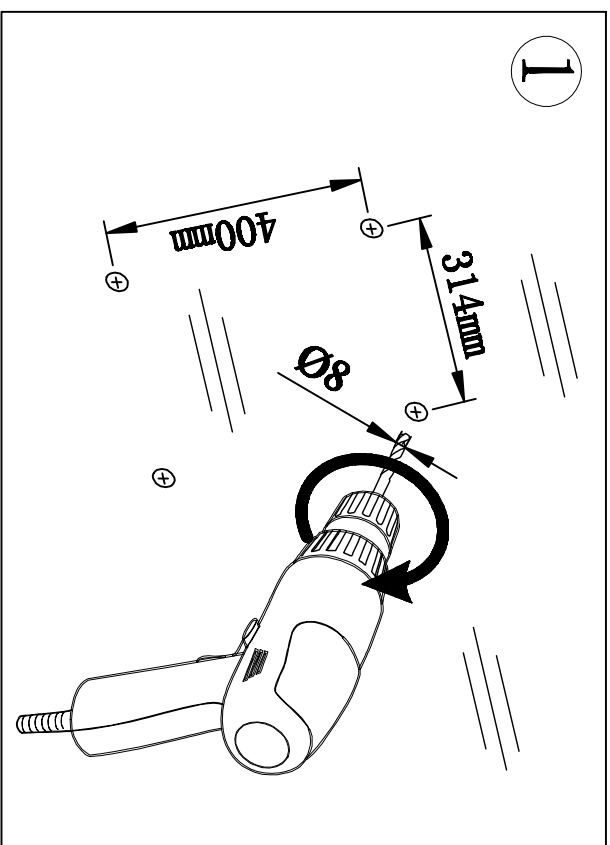


(2) 10011 (mirror) can be used vertically, please see the line drawings as below:

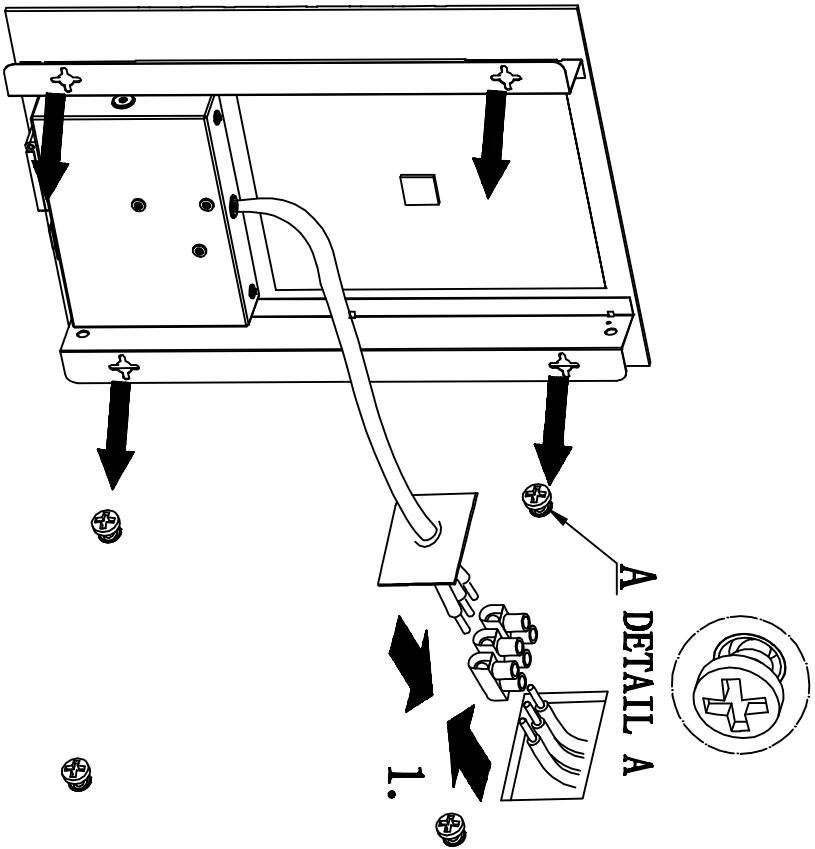


Remarks:The fixing sizes are same as the horizontal mirror (10011),but one is horizontal installation,another is vertical installation

Installation Instructions



5



6

