

INSTALLATION

INSTRUCTIONS

TOOLS NEEDED



1X
PHILLIPS
SCREWDRIVER



1X
SMALL FLT
HEAD SCREWDRIVER



1X
STANLEY
KNIFE



1X
WIRE
CUTTER



1X
TAPE
MEASURE



1X
MARKER PEN



1X
POWER DRILL +
10MM DRILL BIT



1X
HAMMER

CHECK LIST



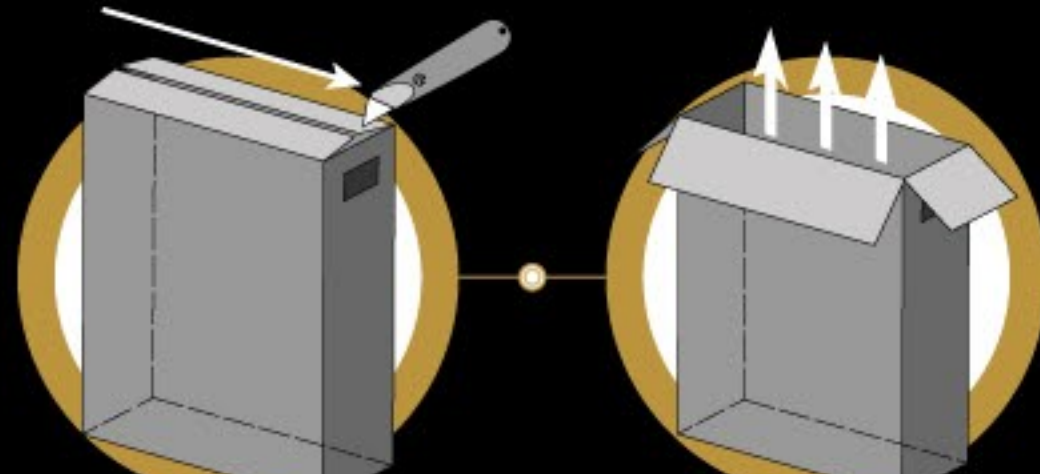
X4
10MM
WALL
PLUGS



X4
10MM
SCREWS

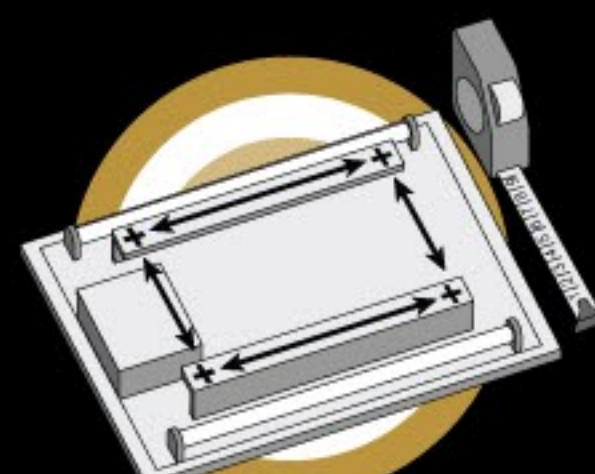
STEP 1:

USE STANLEY KNIFE TO OPEN BOXES AND CAREFULLY REMOVE MIRROR/CABINET FROM PACKAGING. CHECK THOROUGHLY FOR FAULTS/DAMAGE.



STEP 2:

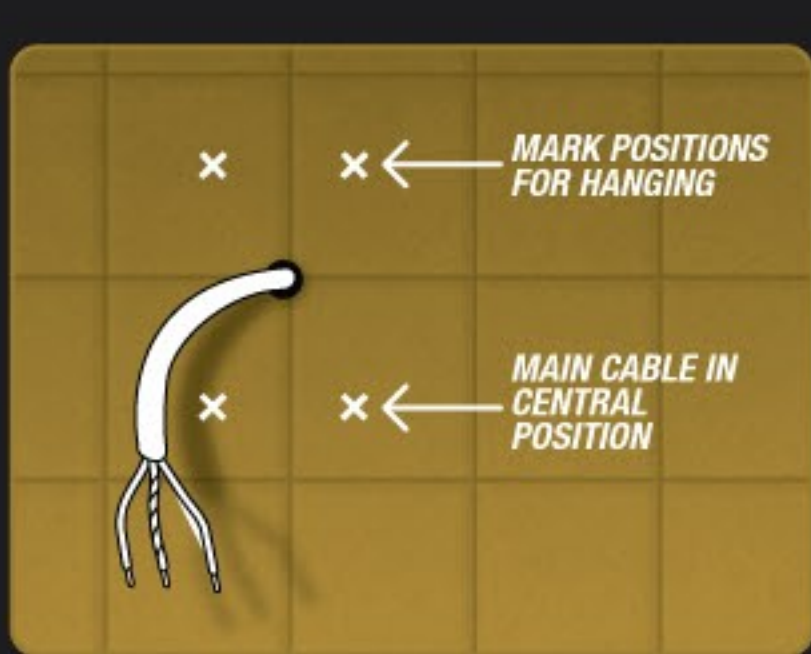
PLACE THE MIRROR/CABINET FACE DOWN ON THE FLOOR. TAKE YOUR TAPE MEASURE AND MEASURE YOUR HANGING POINTS.



STEP 3:

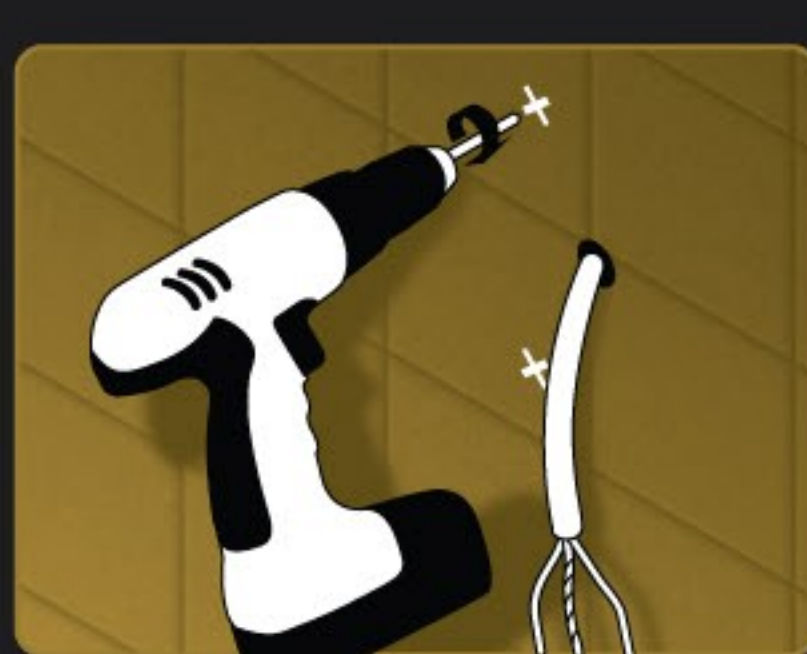
A

TAKE MARKER PEN AND MARK MEASUREMENTS OUT ON WALL TILES.



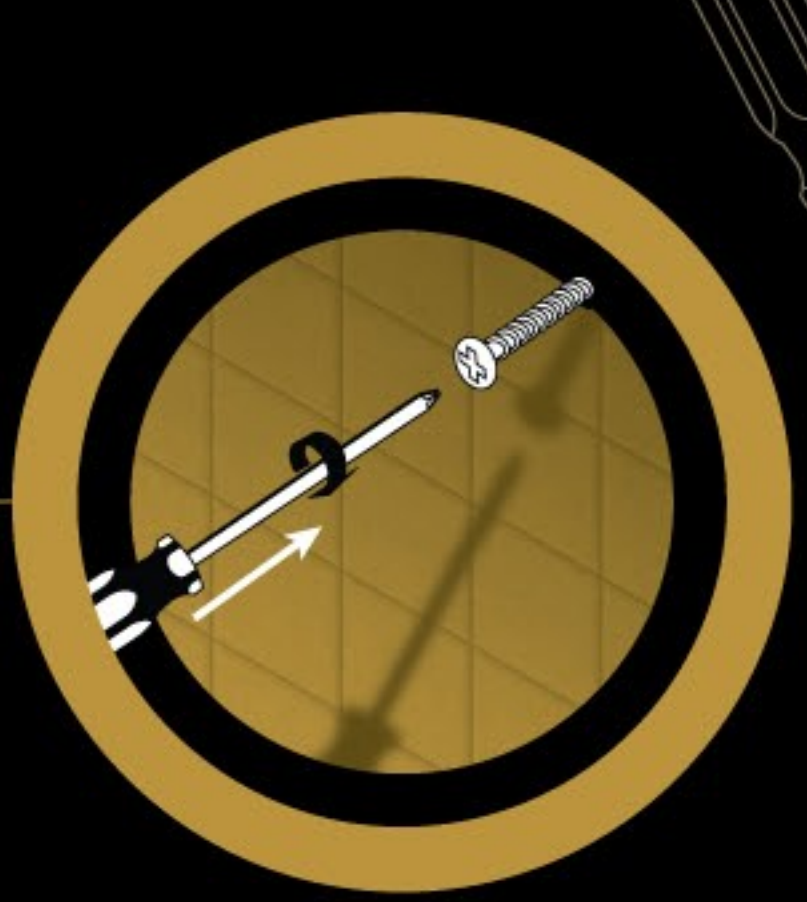
B

DRILL INTO THE POINTS MARKED WITH POWER DRILL, 10MM DRILL BIT NEEDED.



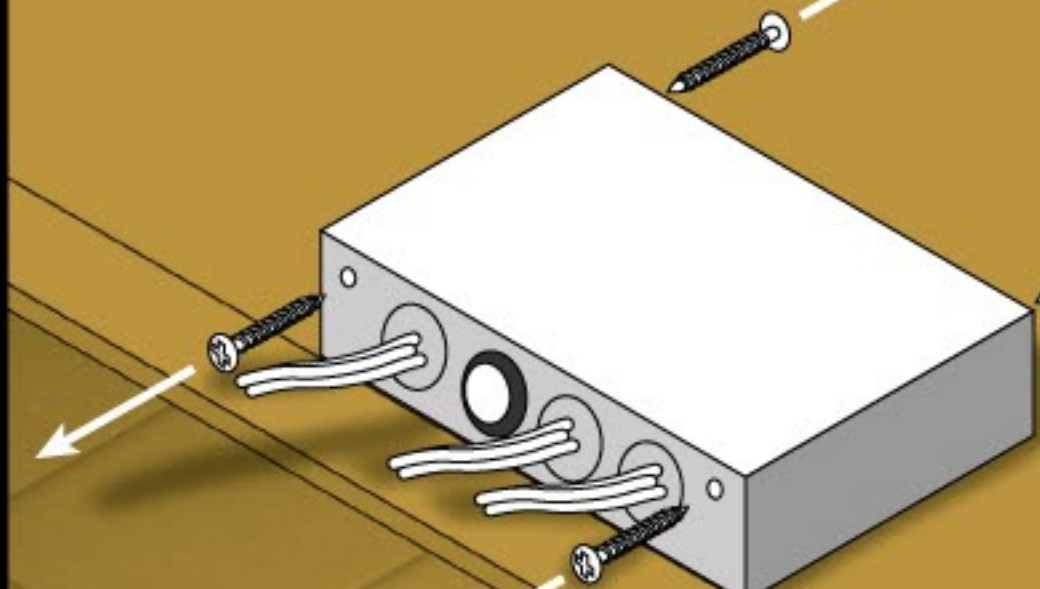
STEP 4:

HAMMER WALL PLUGS INTO DRILLED HOLES AND SCREW THE 4 SCREWS INTO THE WALL PLUGS WITH PHILLIPS SCREW DRIVER.



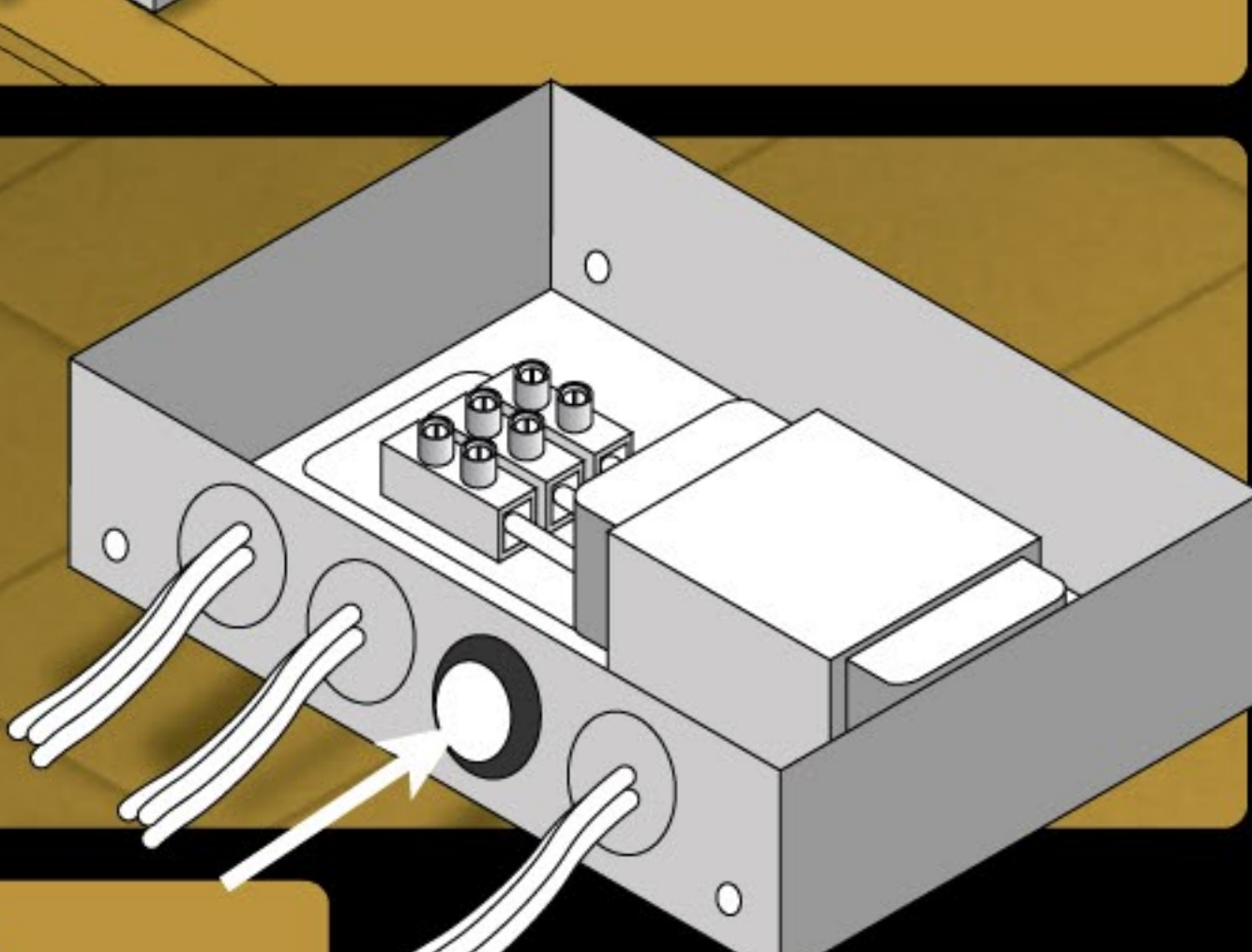
STEP 5:

UNSCREW THE SCREWS ON THE POWER SUPPLY UNIT AT BACK OF MIRROR WITH PHILLIPS SCREW DRIVER. THERE WILL BE 4 SCREWS EXACTLY.



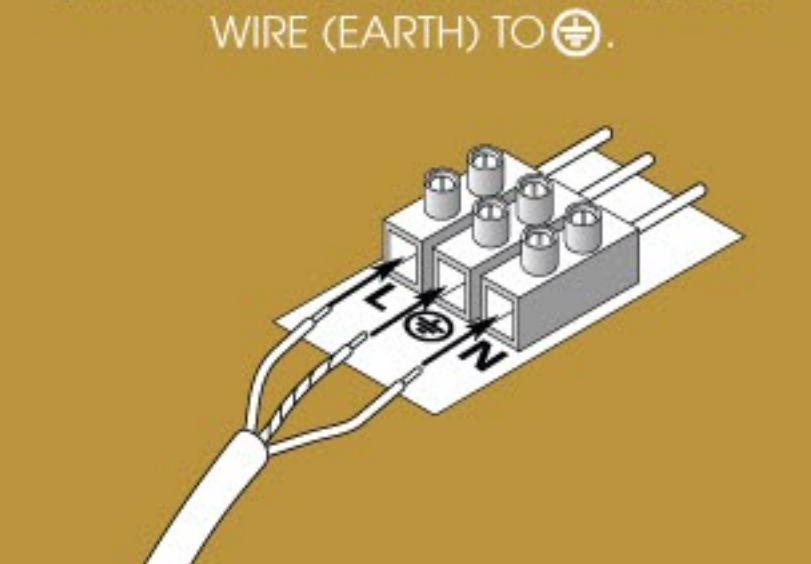
STEP 6:

ONCE POWER SUPPLY UNIT IS TAKEN OFF, INSERT MAINS ELECTRICAL CABLE INTO RUBBER GROMMET.



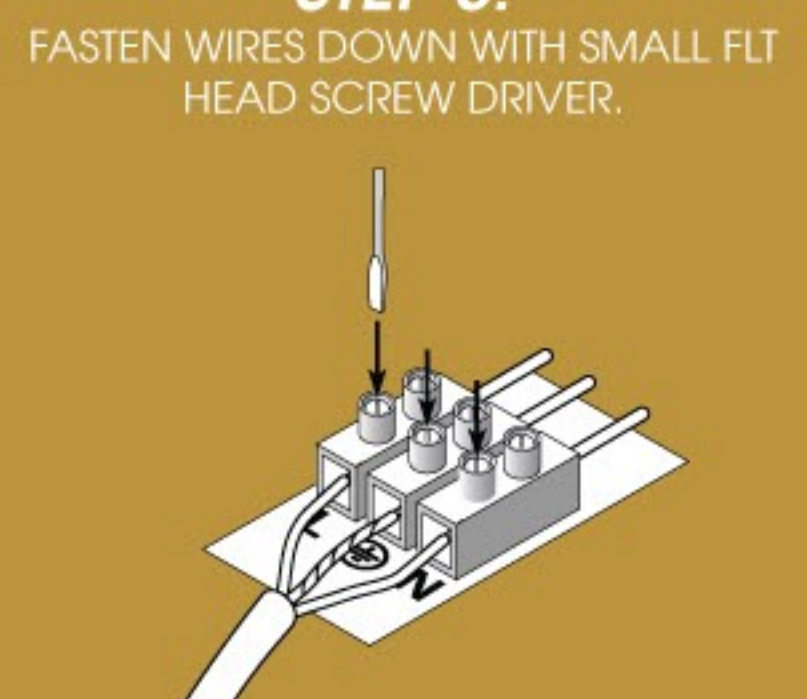
STEP 7:

ONCE MAINS WIRE HAS BEEN FED THROUGH RUBBER GROMMET, CONNECT BROWN WIRE (LIVE) TO THE "L" POINT ON BLOCK TERMINAL, BLUE WIRE (NEUTRAL) TO "N" ON BLOCK TERMINAL AND GREEN AND YELLOW WIRE (EARTH) TO ⊕.



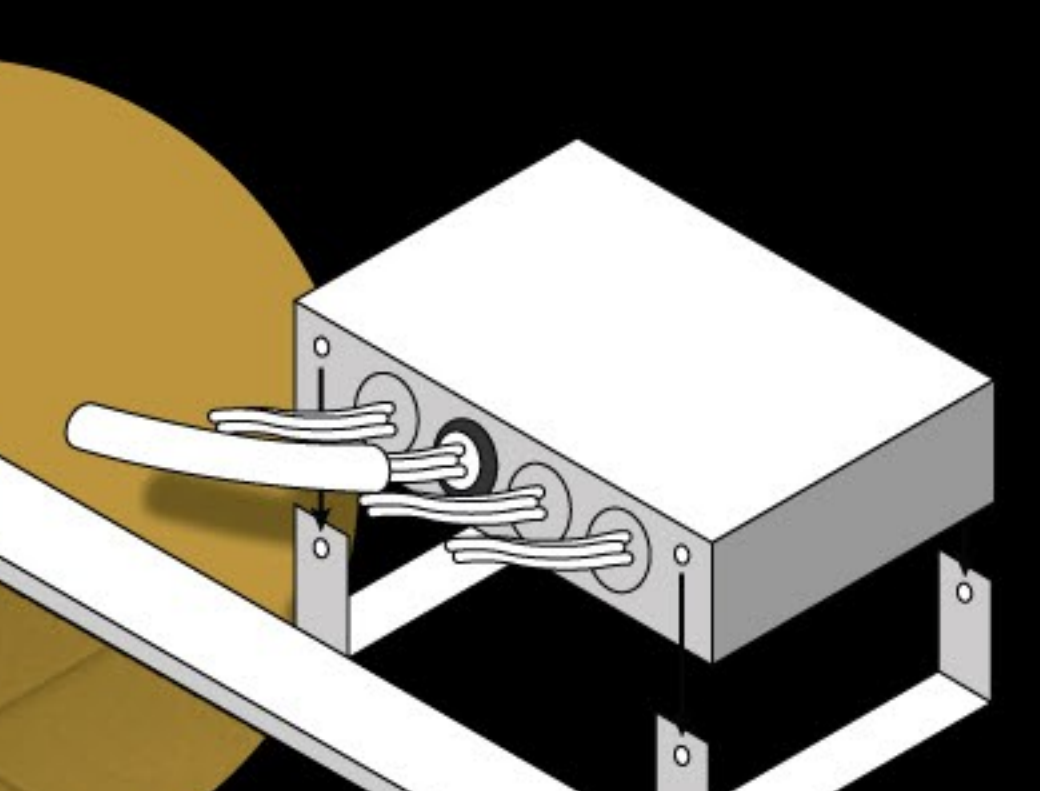
STEP 8:

FASTEN WIRES DOWN WITH SMALL FLT HEAD SCREW DRIVER.



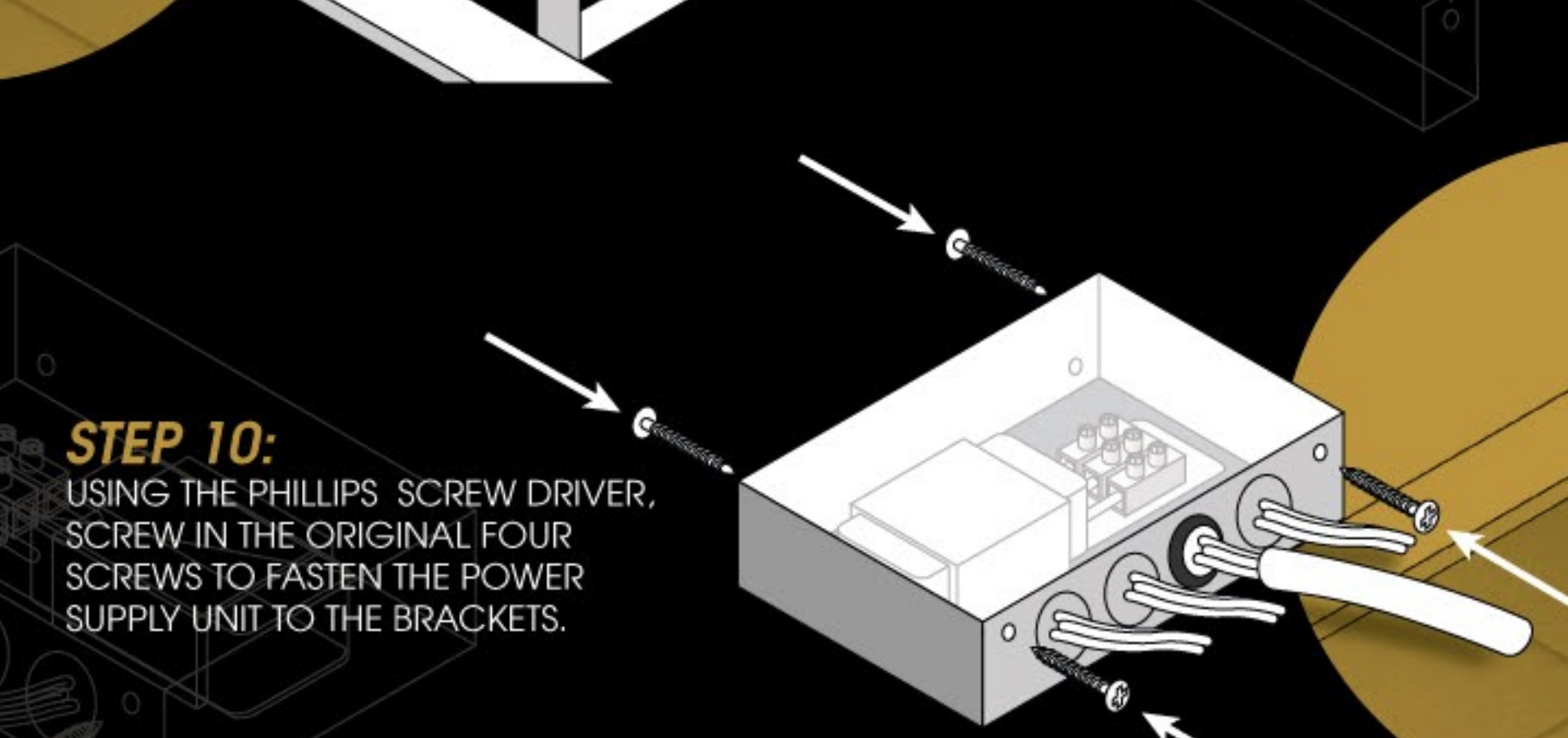
STEP 9:

ONCE MAIN CABLE IS CONNECTED INTO BLOCK TERMINAL RECONNECT POWER SUPPLY UNIT TO IT'S BRACKETS.



STEP 10:

USING THE PHILLIPS SCREW DRIVER, SCREW IN THE PHILLIPS FOUR SCREWS TO FASTEN THE POWER SUPPLY UNIT TO THE BRACKETS.



STEP 11:

WAVE YOUR HAND BY THE SENSOR TO ENSURE MIRROR TURNS ON.



STEP 12:

HANG MIRROR ON WALL SCREWS AND THE INSTALLATION IS COMPLETE.



LIGHT
MIRRORS

www.lightmirrors.co.uk