

# LIGHT

M I R R O R S

## Congratulations on your new bathroom mirror!

We hope you will enjoy your new mirror for many years to come.

### BEFORE YOU INSTALL

Please read the following advice on breakages and returns

Dear valued customer,

We do ask you kindly to read these important notes.

**1) Check your mirror**

Please check your product thoroughly for breaks, damages or defects that may have happened in transit **before** mounting to the wall or fixing to the base/feet (for tabletop versions). As soon as you have mounted the mirror, your claim for damages will not be warranted. It's not that we want to be awkward, but as you can imagine, it's impossible to get the courier company to warrant our insurance claim after a customer or electrician has fitted the mirror.

**2) Do not install if damaged**

Once the mirror has been installed on the wall, we cannot accept returns (unless, of course, the mirror develops a fault after that time). Please inspect and test your mirror before installing it. If it does not meet your expectations, the mirror may be sent back for a refund.

**3) Returning a product**

If you wish to return your product, please follow the instructions in your confirmation email. You will need to complete an online returns form to initiate the return. Full details may be found on the vendor's website. Alternatively, call customer services using the number on the website.

## Contents

<b>Important information</b> .....	<b>2</b>
Electrician installation only .....	2
Electrocution Warning .....	2
<b>Installation</b> .....	<b>3</b>
Positioning.....	3
Wall mounting - Template (selected models) .....	4
Wall mounting - Measuring.....	4
<b>Connecting to bathroom lights (Optional)</b> .....	<b>6</b>
<b>Operating instructions</b> .....	<b>6</b>
<b>Care and cleaning</b> .....	<b>7</b>

## Important information



### Electrician installation only

This product should only be installed by a fully qualified electrician in accordance with the current IEE wiring regulations (UK) or the equivalent national wiring regulation outside of the UK. This light fitting is a Class I product and therefore must be earthed. Always switch off the electricity supply at the mains before and during installation of this product.



### Electrocution Warning

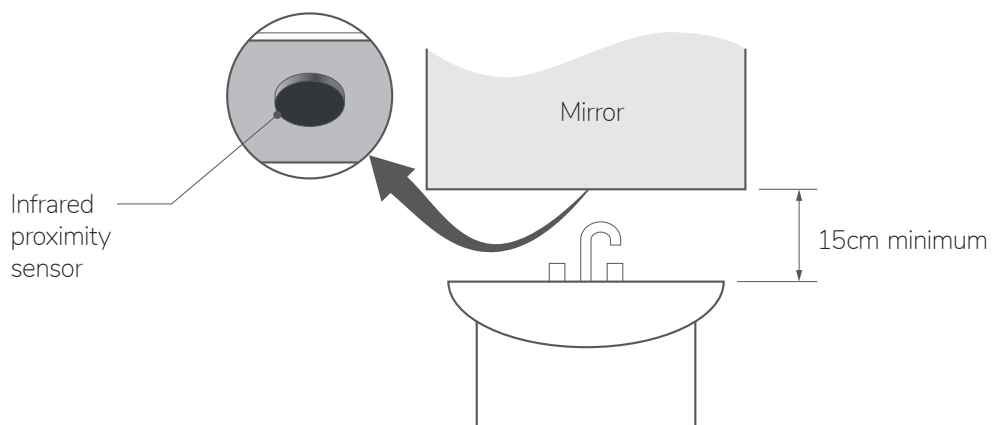
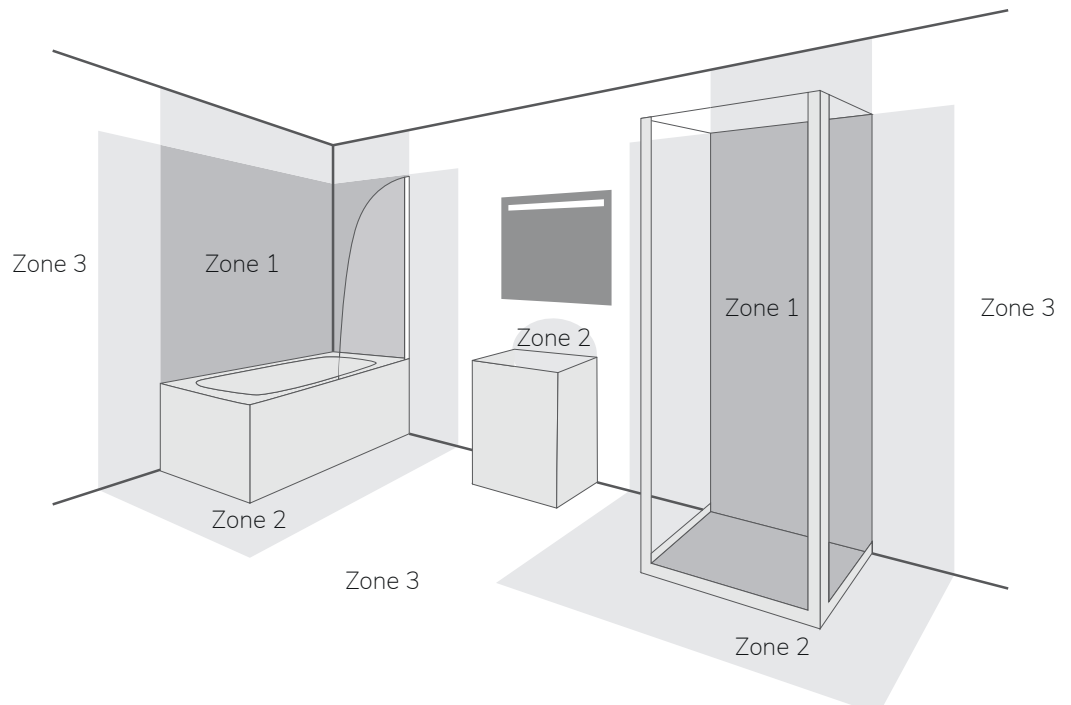
To avoid the risk of electrocution, please turn off the mains electricity supply before commencing installation.

**CE RoHS IP44**

## Installation

### Positioning

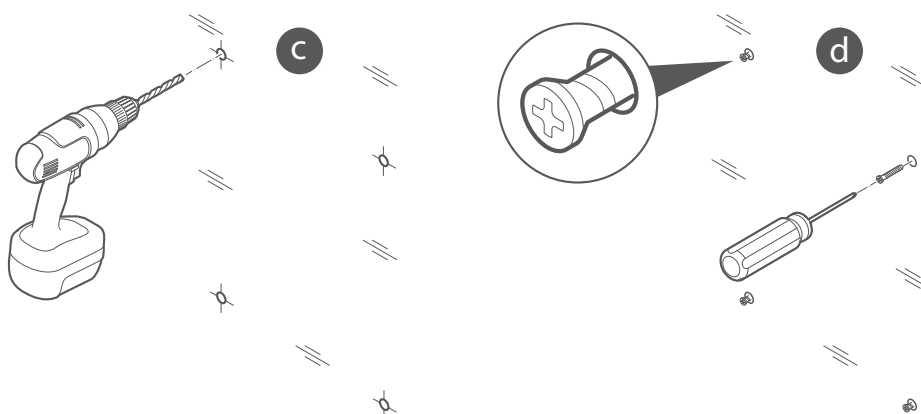
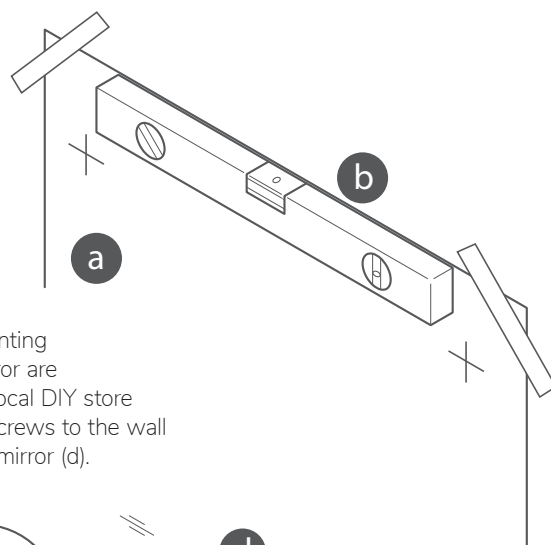
This product is rated IP44 so can be fitted in bathroom zones 2 and 3. Position the mirror in a suitable location with at least 15cm clearance between the infrared proximity sensor and the nearest surface and according to the zone diagram shown below, ensuring that the domestic electrical mains supply is within reach of the electrical entry point of the product.



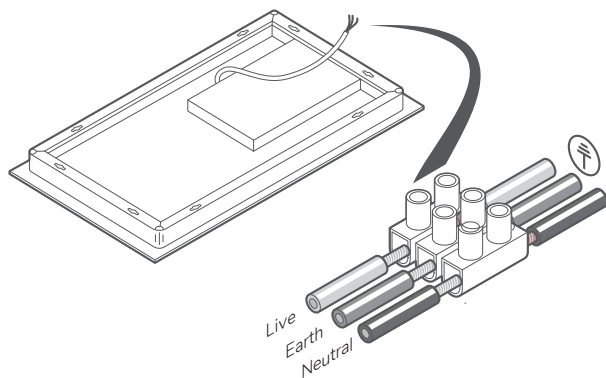
**Wall mounting - Template (selected models)**

Some models are supplied with a drilling template for easy fitting.

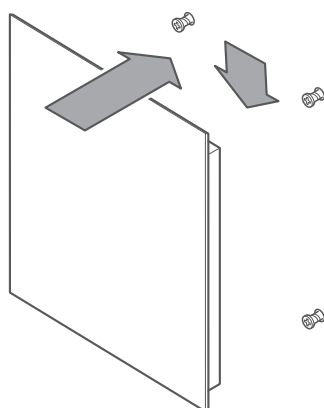
1. Position the template (a) using a spirit level (b) to ensure it is level and tape in place (using decorators tape that will not mark your wall).
2. Mark through the template and discard.
3. Using an appropriate drill bit for your wall, drill the four mounting holes and fit wall plugs (c). The plugs supplied with the mirror are suitable for brick walls only. If in doubt please consult your local DIY store for advice on suitable alternative fixings. Fix the mounting screws to the wall ensuring that they are left protruding enough to mount the mirror (d).



4. Wire the mirror to your mains supply.

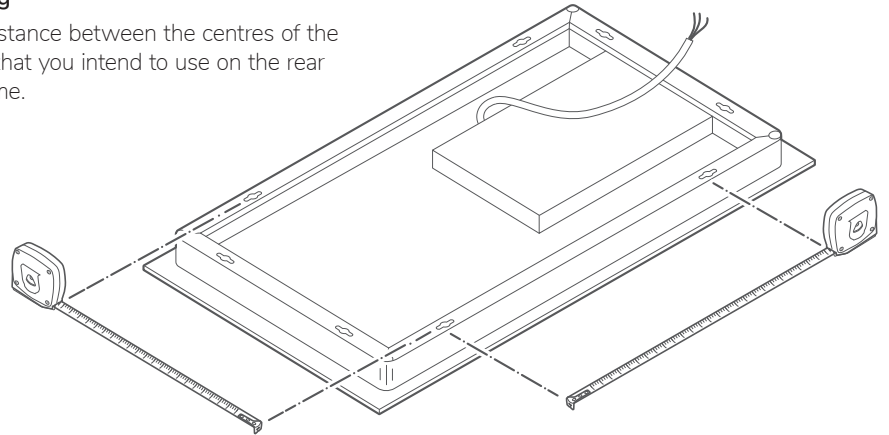


5. Carefully hang the mirror on the four protruding mounting screws. The keyholes will allow the mirror to drop into place. The screw heads will keep the mirror firmly attached to the wall.

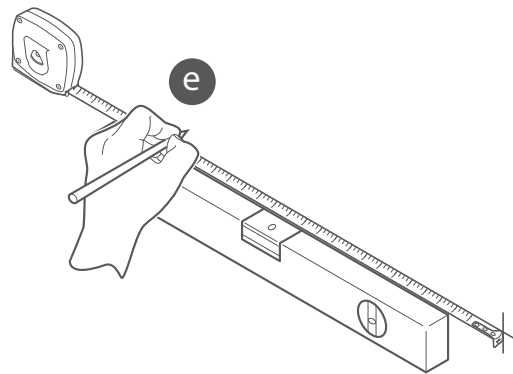


**Wall mounting - Measuring**

1. Measure and note the distance between the centres of the four mounting keyholes that you intend to use on the rear surface of the mirror frame.



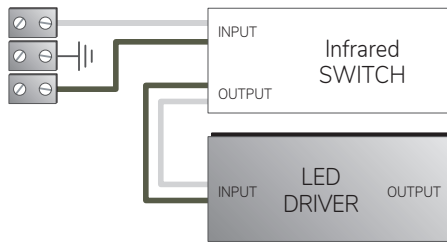
2. Determine the location of the mirror and using a spirit level, mark the hole locations on the wall (e).



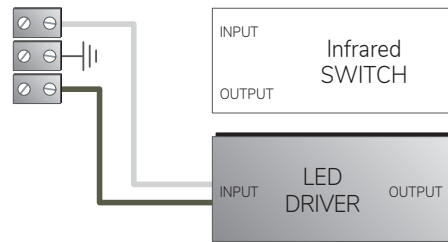
3. Complete installation following steps 3-5 detailed in "Wall mounting - Template" above.

## Connecting to bathroom lights (Optional)

If required, a qualified electrician can connect your mirror to the bathroom lighting circuit so that the mirror is operated using the same switch as the main bathroom lights. The following diagram shows how the infrared switch may be bypassed.

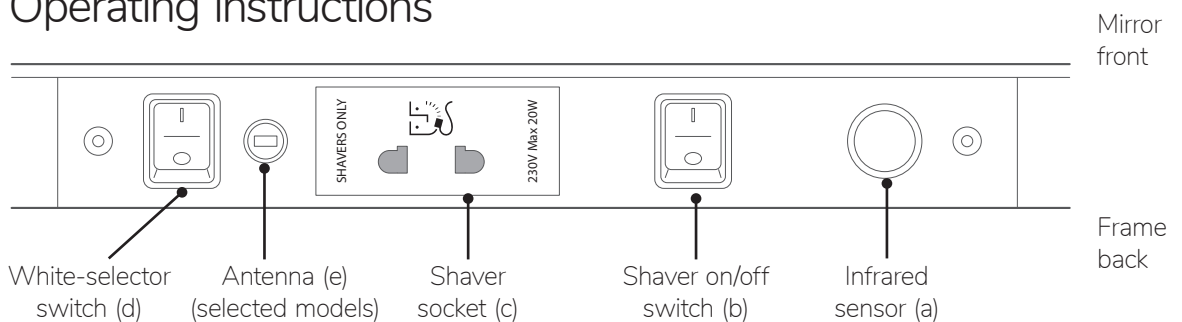


Infrared switch ON/OFF (as supplied)



Controlled by bathroom lighting circuit

## Operating instructions



### 1. Infrared sensor (a) - Switching the front lights on and off

Our mirrors include an infrared proximity sensor to control the main mirror lights (on the front). Wave your hand across the sensor, and it will power up the mirror lights and demister pad. Repeat the action to turn them off again. These lights will only operate if the white-selector switch is not in the centre position.

### 2. White-selector switch (b) - Choosing the colour temperature

A 3-position rocker switch controls the operation and colour temperature on the main (front) lights. The centre position turns the lights off. The infrared sensor will no longer operate the lights in this position, but it will still operate the demister pad. Moving the rocker to the side of the centre will select either warm white (3,000°K) or cool light (5,000°K) LED colour.

### 3. Shaver socket (c) - Independently switched

Our shaver mirrors include a 240 Volt shaver socket to power electric shavers or toothbrushes. The shaver on/off rocker switch (b) controls power to the shaver socket (c). The socket operates independently from the mirror lights and demister pad.

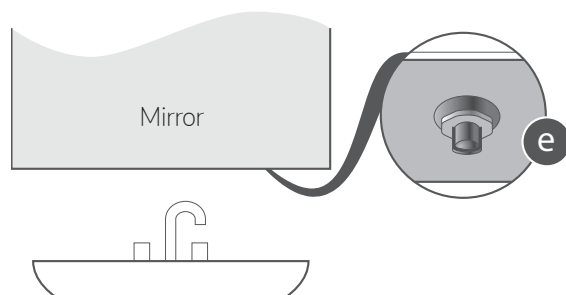
### 4. Additional Aura single-colour lighting (optional extra)

Single-colour and white ambient underlighting models use the infrared proximity sensor (a) to operate underlighting. The main mirror lights, demister pad and underlighting turn on and off together. The main mirror lights can be switched off independently from the Aura ambient underlighting by using the white-selector switch (d).

### 5. Additional Aura colour-change lighting (optional extra)

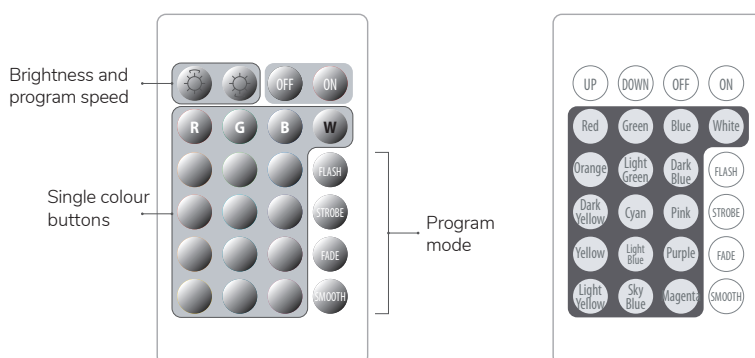
The Aura colour-change lighting system uses a remote control to operate single colours, dimming and lighting programs. The infrared proximity sensor (a) controls power to the colour-change lighting system. However, it may be turned on and off independently using the remote control.

Point your remote towards the antenna (e) located on the bottom of the mirror frame and press the “ON” button. Select a static colour option from the keypad by pressing the appropriate colour button. You can also adjust the brightness by pressing the “UP” and “DOWN” buttons.



Four “MODE” buttons are used to access the lighting programs described in the table below. Point your remote towards the antenna (e) and select the required function and click once. The speed of the transitions can be increased or decreased by pressing the “UP” or “DOWN” buttons. Select a static colour option from the keypad by pressing the appropriate colour button to cancel the program.

MODE	DESCRIPTION
FLASH	Flashes between 7 colours
STROBE	Strobes the chosen single colour
FADE	Fades the single colour, on and off.
SMOOTH	Fades between red, green and blue.



#### 6. X-Audio Bluetooth (optional extra)

Turn on the shaver socket rocker switch to activate your mirror’s Bluetooth audio system (b). You will hear an activation tone coming from the speakers.

## Care and cleaning

Do not use abrasive materials to clean the mirror as they will damage the finish.

# LIGHT

## M I R R O R S

### Maintenance advice.

Your mirror is built to stand the test of time and you can guarantee this by following these easy mirror care and maintenance best practices.

1. The safest cleaner for a mirror is clean, warm water applied with a soft cloth. Be careful not to allow the edges of the mirror to remain wet over a period of time.
2. Do not use any acidic or alkali cleaners. These can attack the surface and edges of the mirror as well as the backing of the mirror. You should be sure to never use an abrasive cleaner on any mirror surface.
3. Do not use cleaners with heavy ammonia bases. These, too, can damage the mirror edges and backing and will result in a ruined mirror. Examples of cleaners with heavy ammonia bases include:
  - Multisurface cleaners
  - Toilet cleaners
  - Bathroom cleaners
  - Window cleaners
4. Never spray any cleaner directly on to a mirror. Instead, apply the cleaner to a soft cloth and then wipe the mirror. This will also prevent “puddling” at the mirror edge (where the cleaner could be to attack the backing).
5. Always use soft, grit-free cloths when cleaning a mirror to reduce chances of scratching the surface.
6. Be sure to dry all joints and edges thoroughly to be certain no cleaner comes in contact with the mirrors edge and backing.